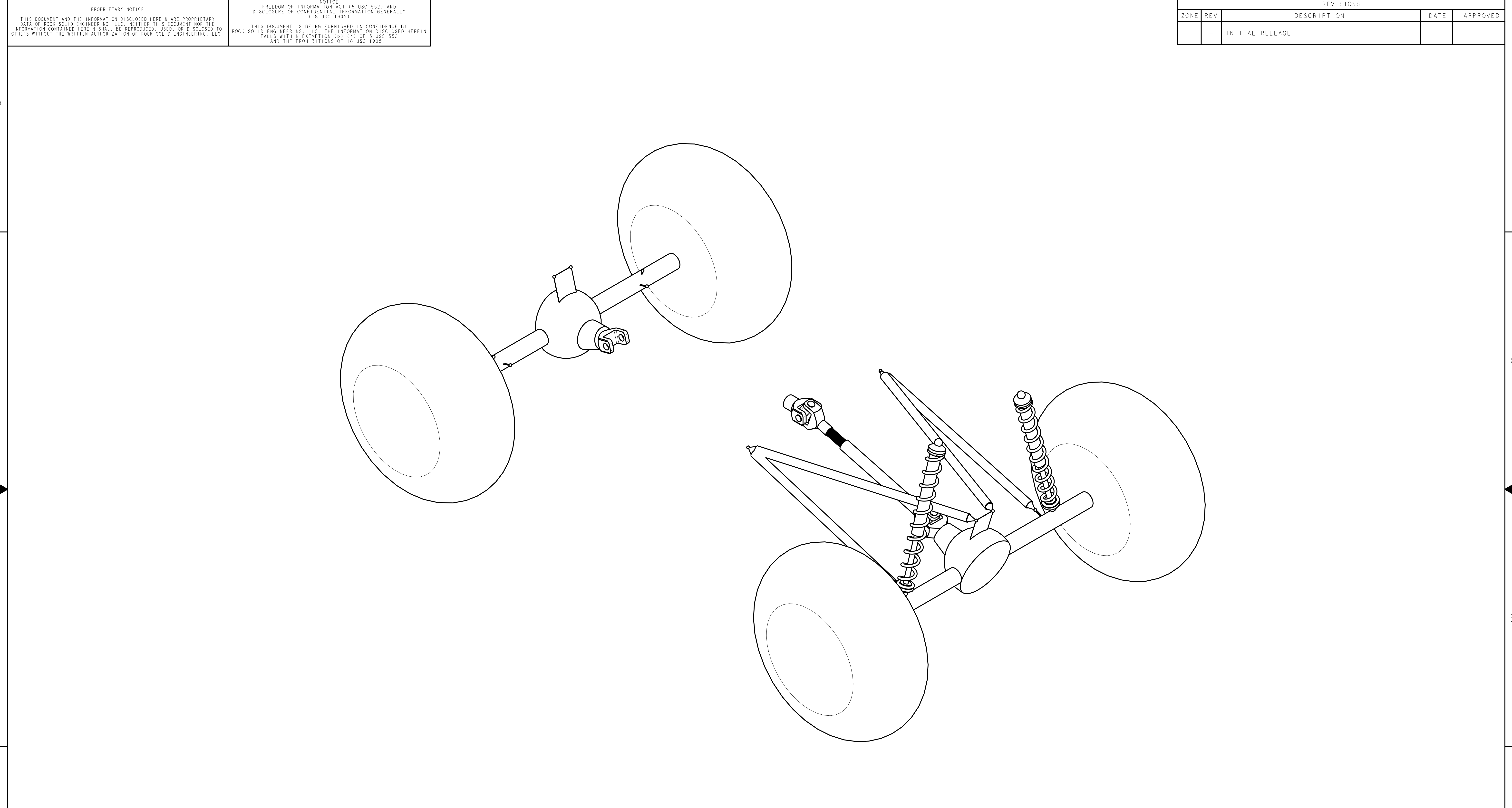


DWG NO.	MOTION		SH	1
REVISIONS				
ZONE	REV	DESCRIPTION	DATE	APPROVED
	-	INITIAL RELEASE		



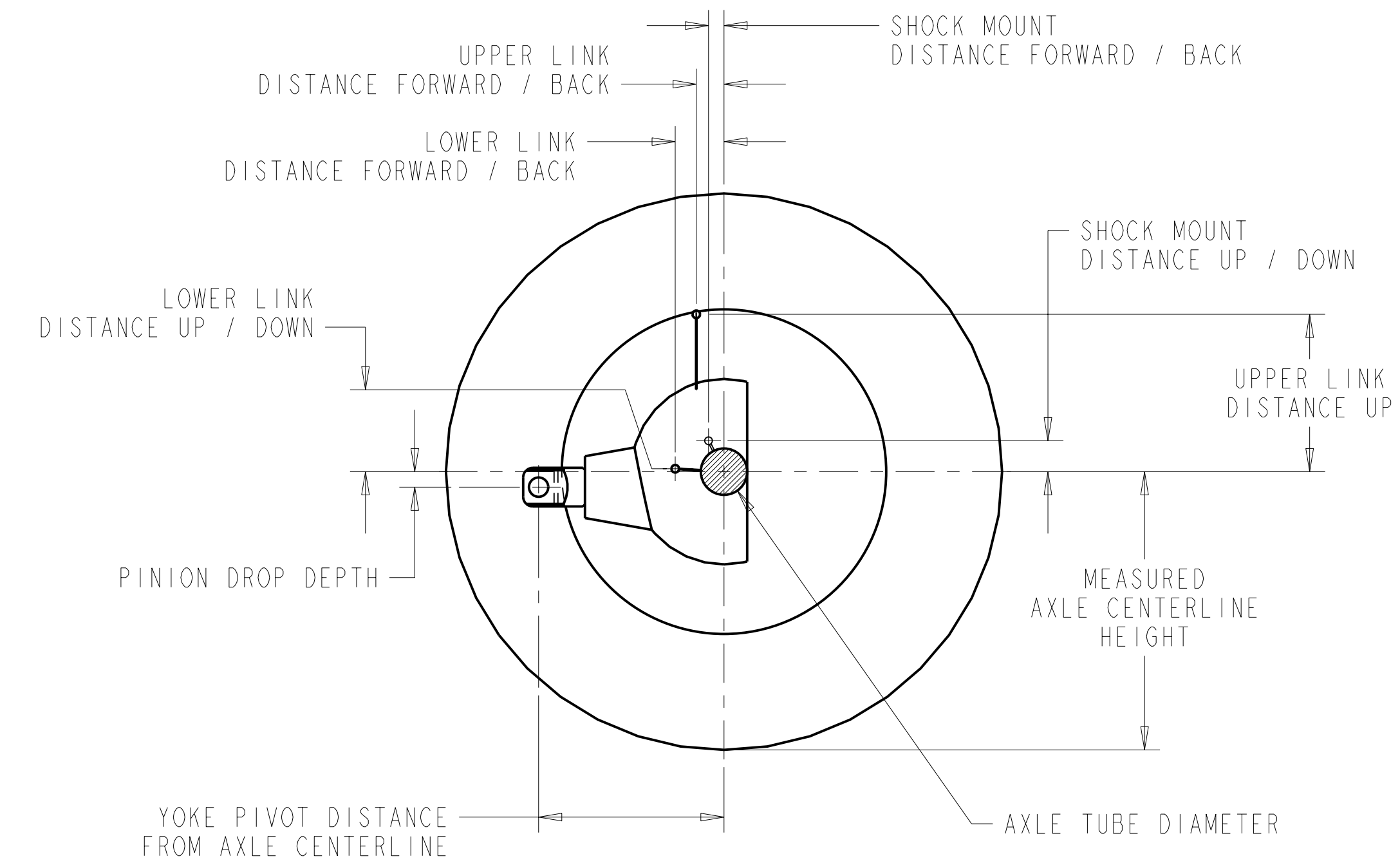
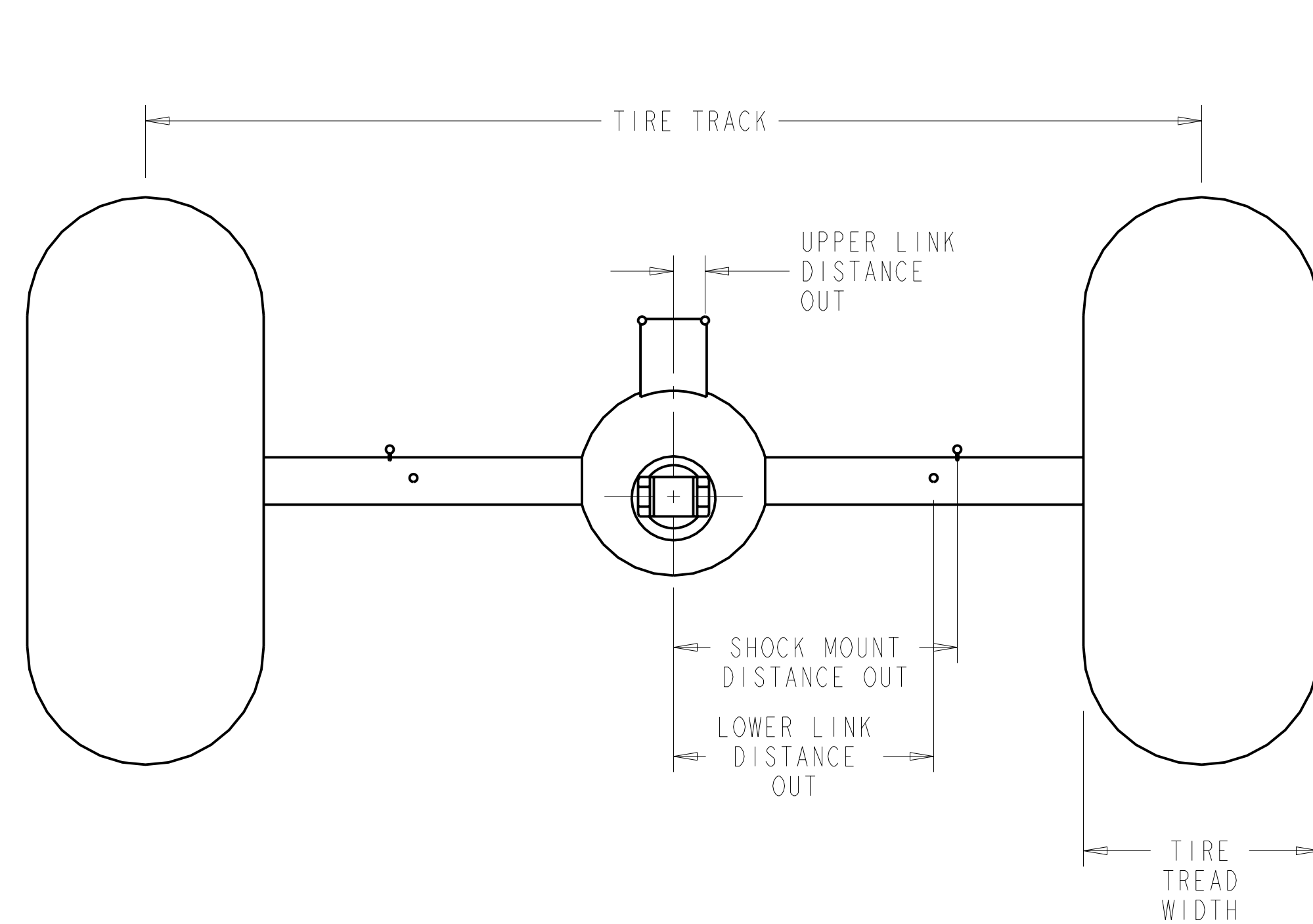
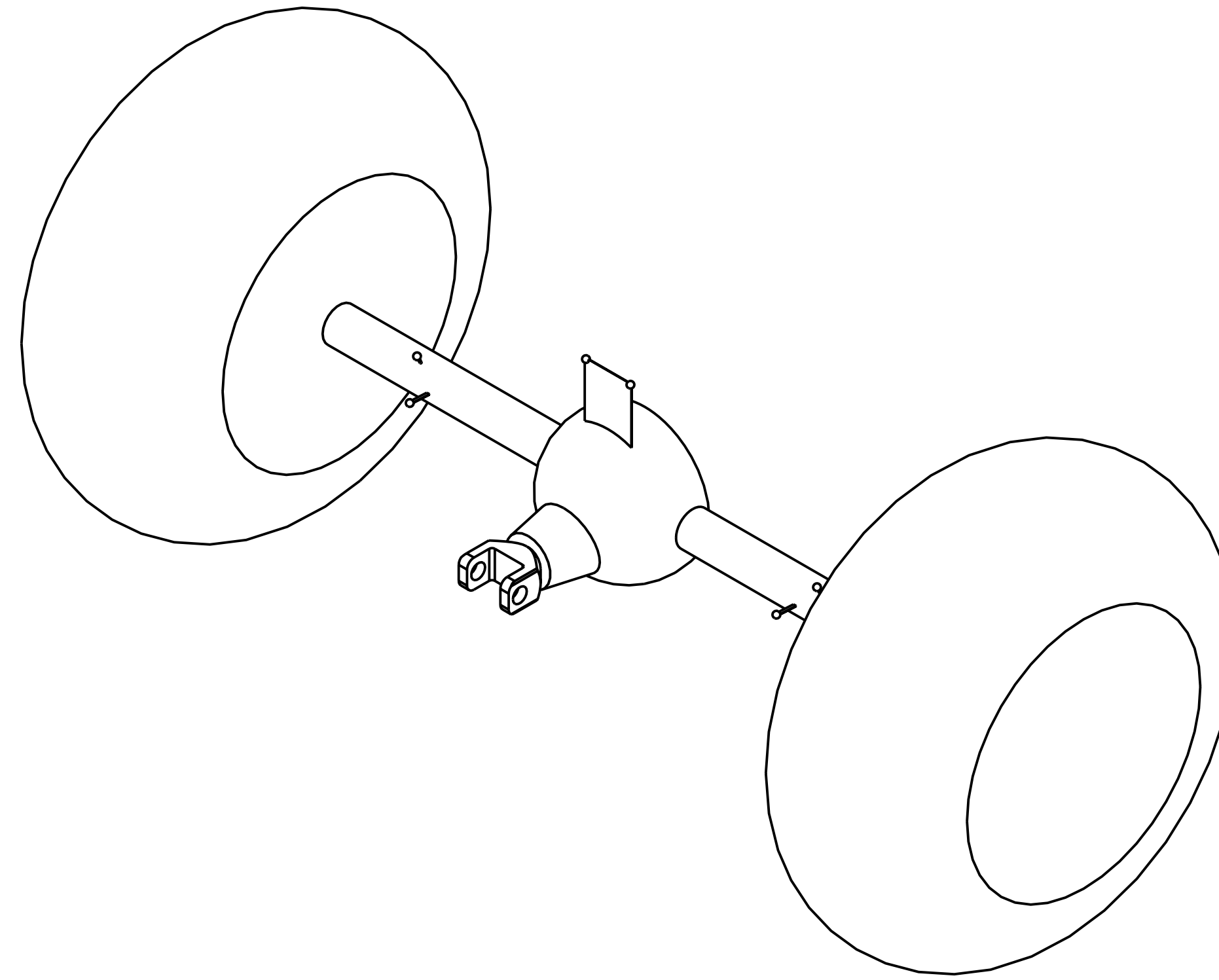
<table border="1"> <tr> <td>33</td><td>32</td><td>31</td><td>30</td><td>29</td><td>28</td><td>27</td><td>26</td><td>25</td><td>24</td><td>23</td><td>22</td><td>21</td><td>20</td><td>19</td><td>18</td><td>17</td><td>16</td><td>15</td><td>14</td><td>13</td><td>12</td><td>11</td><td>10</td><td>9</td><td>8</td><td>7</td><td>6</td><td>5</td><td>4</td><td>3</td><td>2</td><td>1</td><td>REV</td><td>SHEET INDEX</td> </tr> <tr> <td colspan="17">INTERPRET DIMENSIONS AND TOLERANCES PER ASME Y14.5M-1994</td> <td colspan="11">UNLESS OTHERWISE SPECIFIED, DIMENSIONS ARE IN INCHES; TOLERANCES: ANGLES ± 2° 2 PL DEC ± .02 3 PL DEC ± .005</td> </tr> </table>															33	32	31	30	29	28	27	26	25	24	23	22	21	20	19	18	17	16	15	14	13	12	11	10	9	8	7	6	5	4	3	2	1	REV	SHEET INDEX	INTERPRET DIMENSIONS AND TOLERANCES PER ASME Y14.5M-1994																	UNLESS OTHERWISE SPECIFIED, DIMENSIONS ARE IN INCHES; TOLERANCES: ANGLES ± 2° 2 PL DEC ± .02 3 PL DEC ± .005											CONTRACT					OPERATIONAL NOTE				
33	32	31	30	29	28	27	26	25	24	23	22	21	20	19	18	17	16	15	14	13	12	11	10	9	8	7	6	5	4	3	2	1	REV	SHEET INDEX																																																					
INTERPRET DIMENSIONS AND TOLERANCES PER ASME Y14.5M-1994																	UNLESS OTHERWISE SPECIFIED, DIMENSIONS ARE IN INCHES; TOLERANCES: ANGLES ± 2° 2 PL DEC ± .02 3 PL DEC ± .005																																																																						
DRAWN BY CJ NONA					DATE 2/15/03					DESIGNED BY CJ NONA					DATE 10/12/03																																																																								
MATERIAL					MILITARY DESIGNATION					DESCRIPTION					THIRD ANGLE PROJECTION																																																																								
PROCESS															DWG CLASS A																																																																								
FINISH															FIRST USED ON																																																																								
APVD FOR MFG					DATE					APVD FOR OE					DATE																																																																								
APVD FOR ENGR					DATE					APVD FOR ENGR					DATE																																																																								
APVD FOR					DATE					APVD FOR					DATE																																																																								
SIZE D		CAGE CODE		DRAWING NO.		SCALE 0.125		UNIT WT		SHEET 1 OF 5		TITLE SUSPENSION MOTION		REV MOTION																																																																									

PROPRIETARY NOTICE
THIS DOCUMENT AND THE INFORMATION DISCLOSED HEREIN ARE PROPRIETARY DATA OF ROCK SOLID ENGINEERING, LLC. NEITHER THIS DOCUMENT NOR THE INFORMATION CONTAINED HEREIN SHALL BE REPRODUCED, USED, OR DISCLOSED TO OTHERS WITHOUT THE WRITTEN AUTHORIZATION OF ROCK SOLID ENGINEERING, LLC.

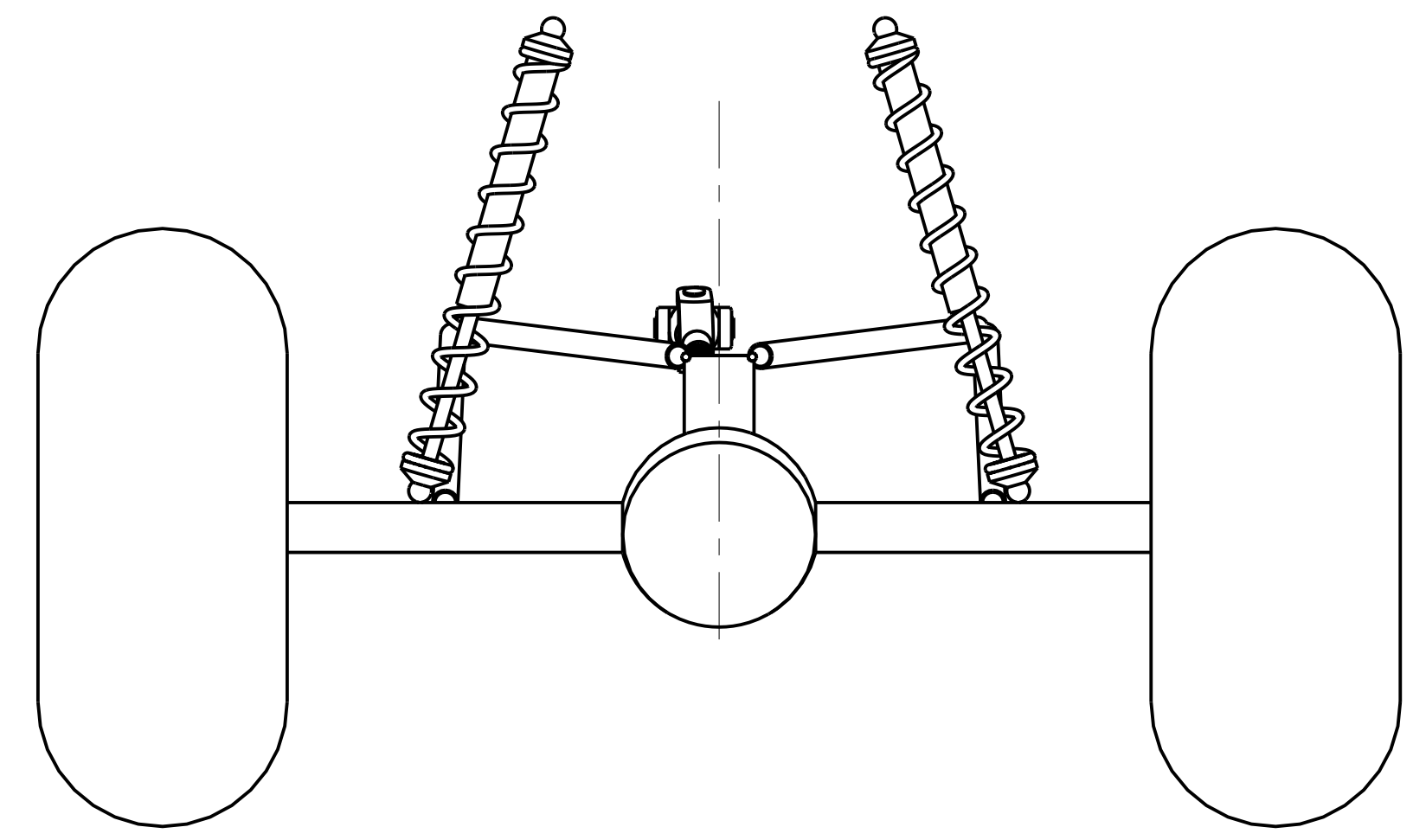
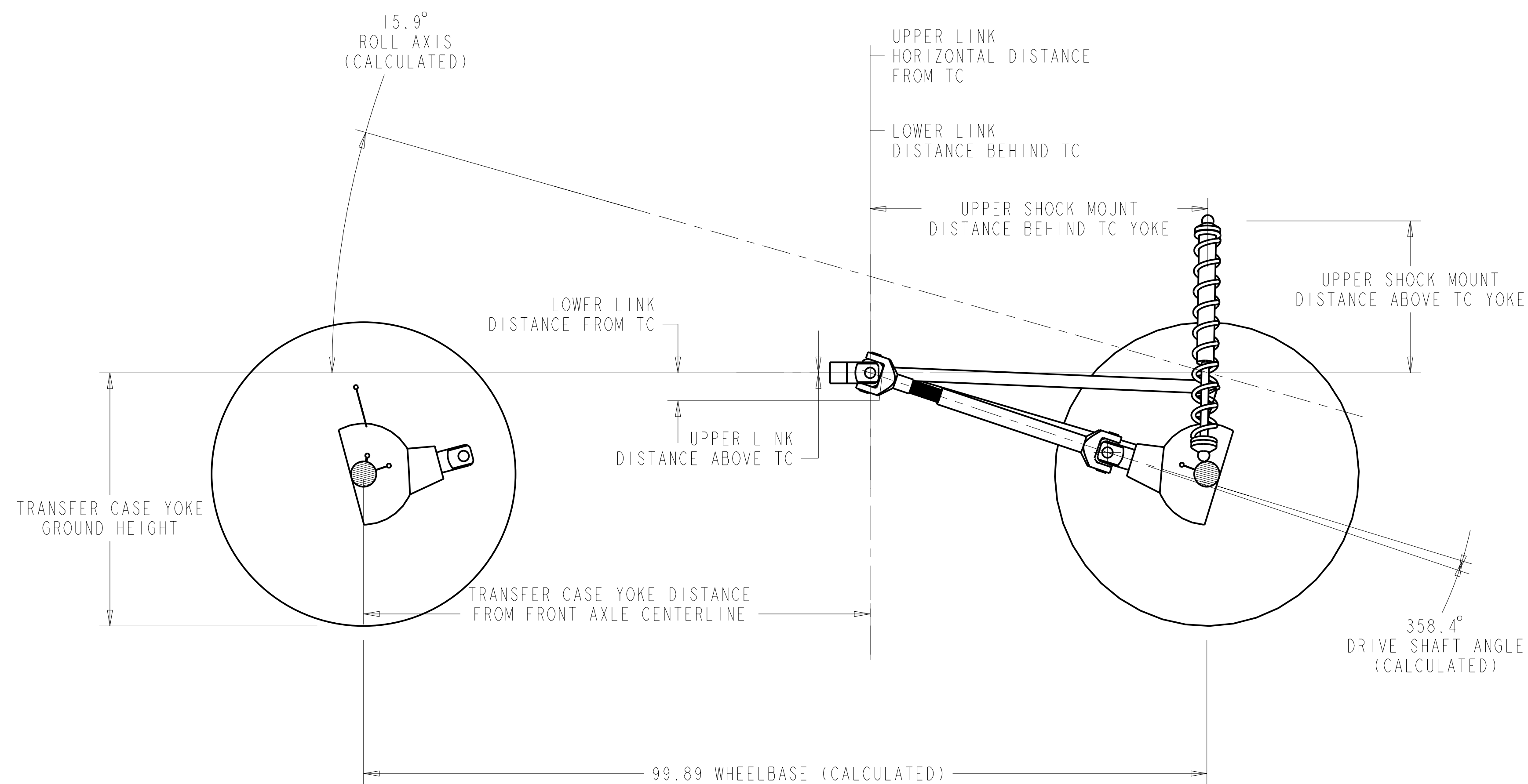
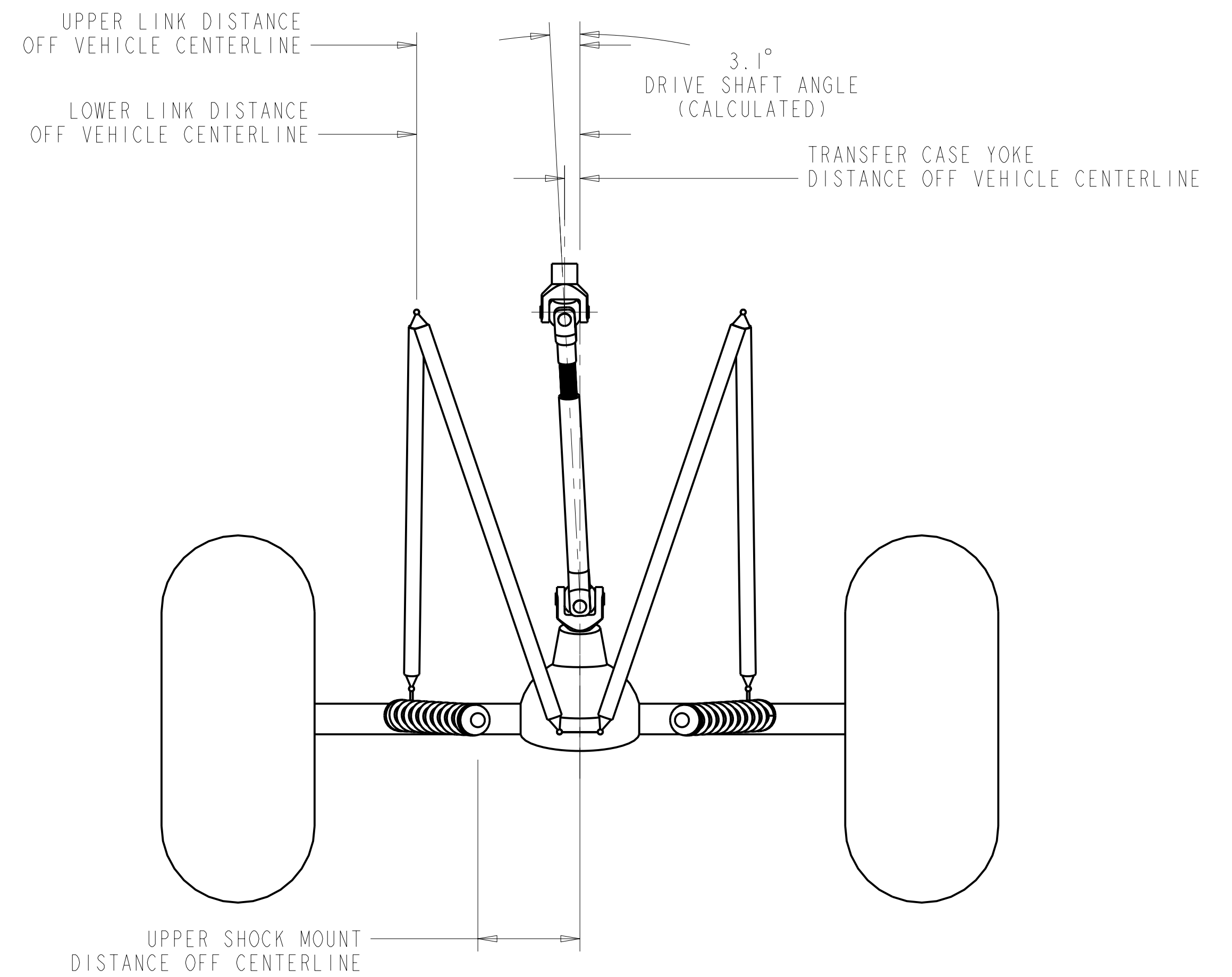
NOTICE
FREEDOM OF INFORMATION ACT (5 USC 552) AND DISCLOSURE OF CONFIDENTIAL INFORMATION GENERALLY (18 USC 1905)
THIS DOCUMENT IS BEING FURNISHED IN CONFIDENCE BY ROCK SOLID ENGINEERING, LLC. THE INFORMATION DISCLOSED HEREIN FALLS WITHIN EXEMPTION (b) (4) OF 5 USC 552 AND THE PROHIBITIONS OF 18 USC 1905.

AXLE DIMENSIONS

VARIABLE	DIM
AXLE TUBE DIAMETER	3.00
TIRE TRACK (CENTERLINE TO CENTERLINE)	67.00
TIRE TREAD WIDTH	15.00
MEASURED AXLE CENTERLINE HEIGHT	18.00
PINION DROP DEPTH	1.00
YOKE PIVOT DISTANCE FROM AXLE	12.00
LOWER LINK DISTANCE OUT	16.50
UPPER LINK DISTANCE OUT	2.00
LOWER LINK DISTANCE FORWARD/BACK	3.157
UPPER LINK DISTANCE FORWARD/BACK	1.795
LOWER LINK DISTANCE UP/DOWN	.189
UPPER LINK DISTANCE UP/DOWN	10.182
SHOCK MOUNT DISTANCE OUT	18.00
SHOCK MOUNT DISTANCE UP/DOWN	2.00
SHOCK MOUNT DISTANCE FORWARD/BACK	1.00



VEHICLE / LINK DIMENSIONS (FLAT / LEVEL GROUND, AT REST)	
VARIABLE	DIM
TRANSFER CASE YOKE FROM FRONT AXLE CENTERLINE	60.00
TRANSFER CASE YOKE GROUND HEIGHT	30.00
TRANSFER CASE YOKE OFF VEHICLE CENTERLINE	1.50
LOWER LINK DISTANCE ABOVE TC YOKE	.00
UPPER LINK DISTANCE ABOVE TC YOKE	.00
LOWER LINK DISTANCE BEHIND TC YOKE	.000
UPPER LINK DISTANCE BEHIND TC YOKE	.000
LOWER LINK DISTANCE OFF VEHICLE CENTERLINE	16.00
UPPER LINK DISTANCE OFF VEHICLE CENTERLINE	16.00
LOWER LINK LENGTH	38.50
UPPER LINK LENGTH	43.50
UPPER SHOCK MOUNT DISTANCE ABOVE TC YOKE	18.00
UPPER SHOCK MOUNT DISTANCE BEHIND TC YOKE	40.00
UPPER SHOCK MOUNT DISTANCE OFF VEHICLE CENTERLINE	10.00
SHOCK LENGTH AT REST (CALCULATED)	28.9
DRIVE SHAFT LENGTH AT REST (CALCULATED)	29.70



CENTER OF GRAVITY DIMENSIONS (FLAT / LEVEL GROUND, AT REST)	
VARIABLE	DIM
VERTICAL HEIGHT OF CG FROM GROUND	36.00
HORIZONTAL DISTANCE OF CG FROM FRONT AXLE	38.00
ANTI-SQUAT (CALCULATED)	209.8 %

