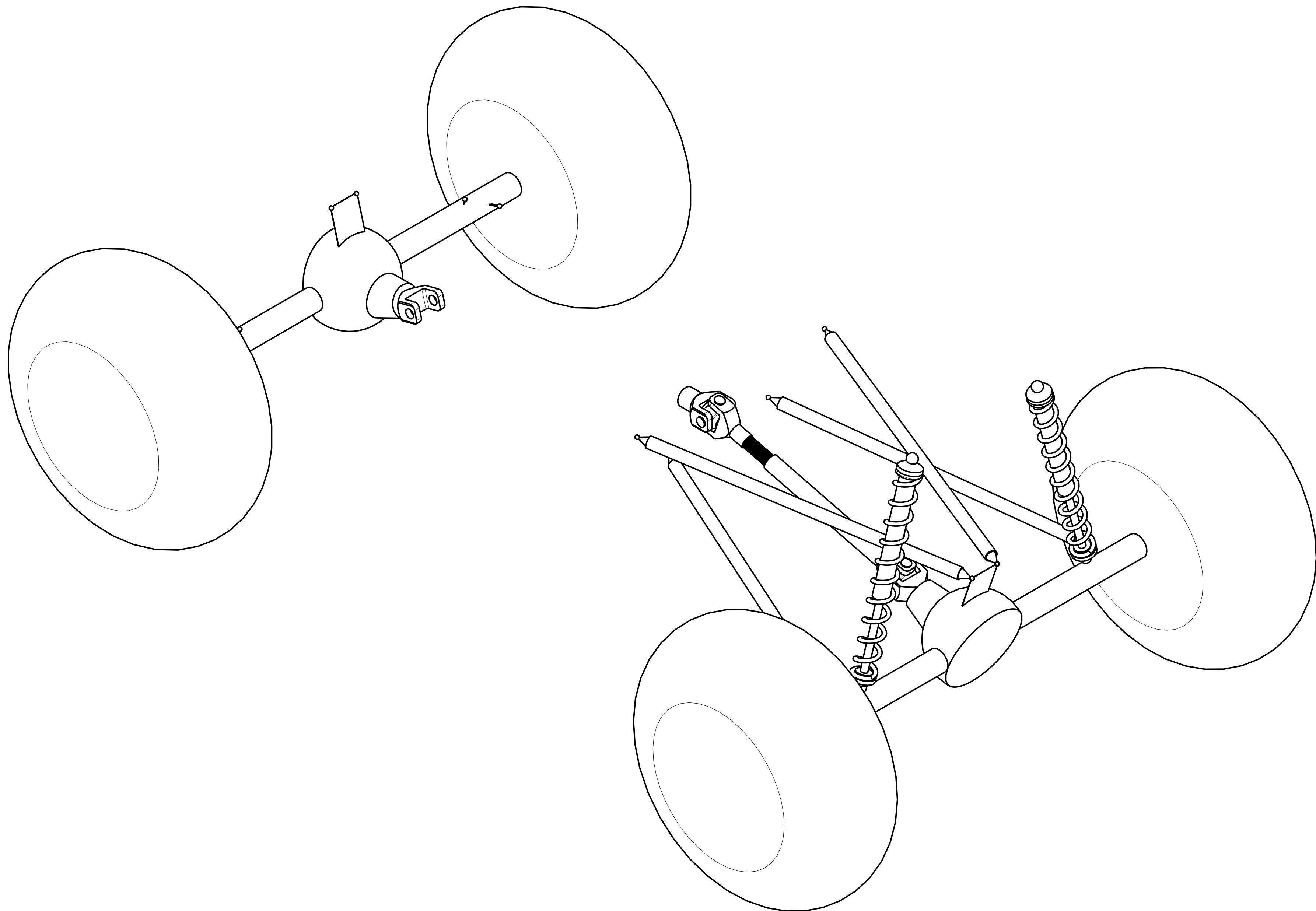


PROPRIETARY NOTICE  
 THIS DOCUMENT AND THE INFORMATION DISCLOSED HEREIN ARE PROPRIETARY DATA OF ROCK SOLID ENGINEERING, LLC. NEITHER THIS DOCUMENT NOR THE INFORMATION CONTAINED HEREIN SHALL BE REPRODUCED, USED, OR DISCLOSED TO OTHERS WITHOUT THE WRITTEN AUTHORIZATION OF ROCK SOLID ENGINEERING, LLC.

NOTICE  
 FREEDOM OF INFORMATION ACT (5 USC 552) AND DISCLOSURE OF CONFIDENTIAL INFORMATION GENERALLY (18 USC 1905)  
 THIS DOCUMENT IS BEING FURNISHED IN CONFIDENCE BY ROCK SOLID ENGINEERING, LLC. THE INFORMATION DISCLOSED HEREIN FALLS WITHIN EXEMPTION (b) (4) OF 5 USC 552 AND THE PROHIBITIONS OF 18 USC 1905.

DWG NO.	<b>MOTION</b>		SH	1	I
REVISIONS					
ZONE	REV	DESCRIPTION	DATE	APPROVED	
	-	INITIAL RELEASE			



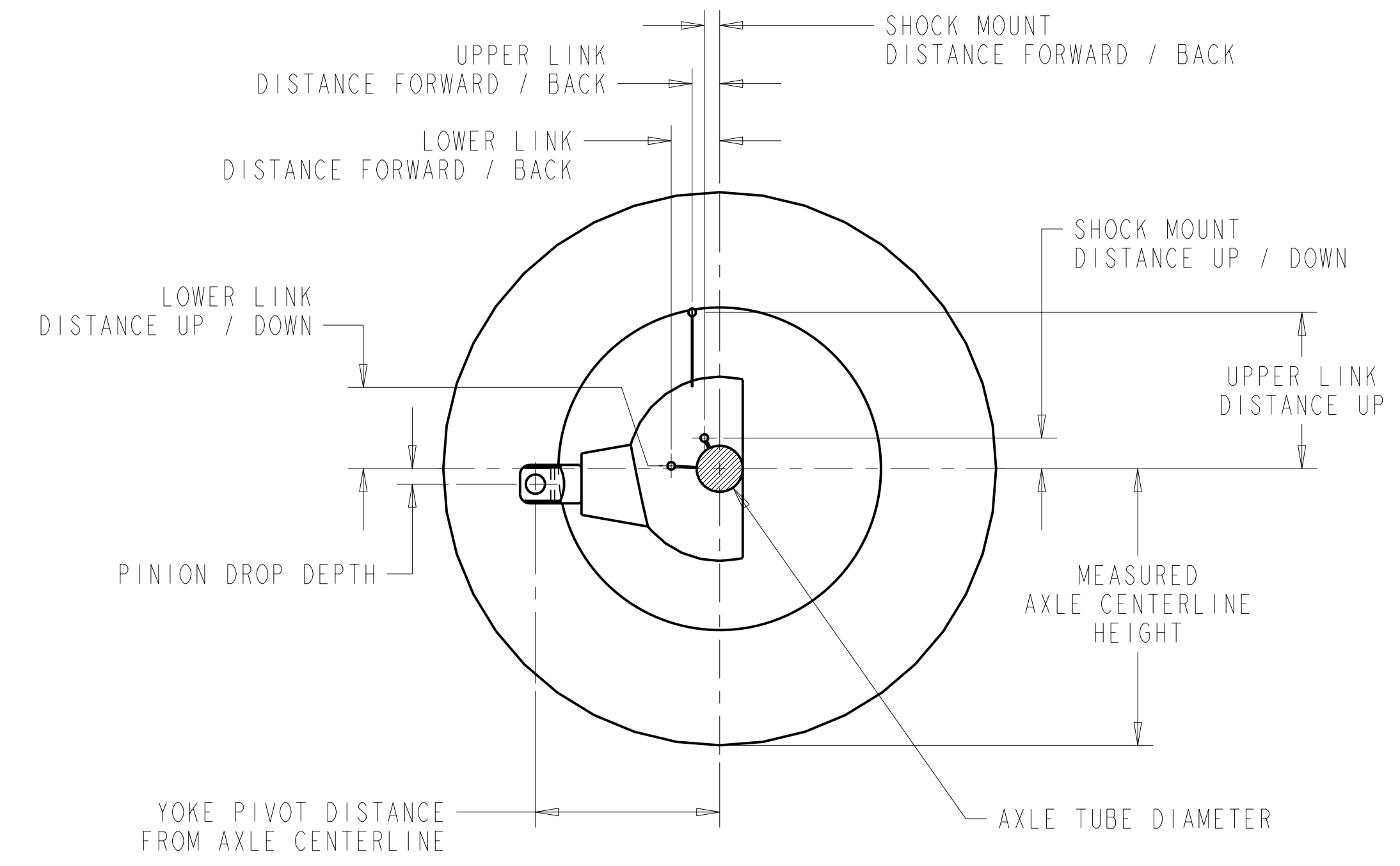
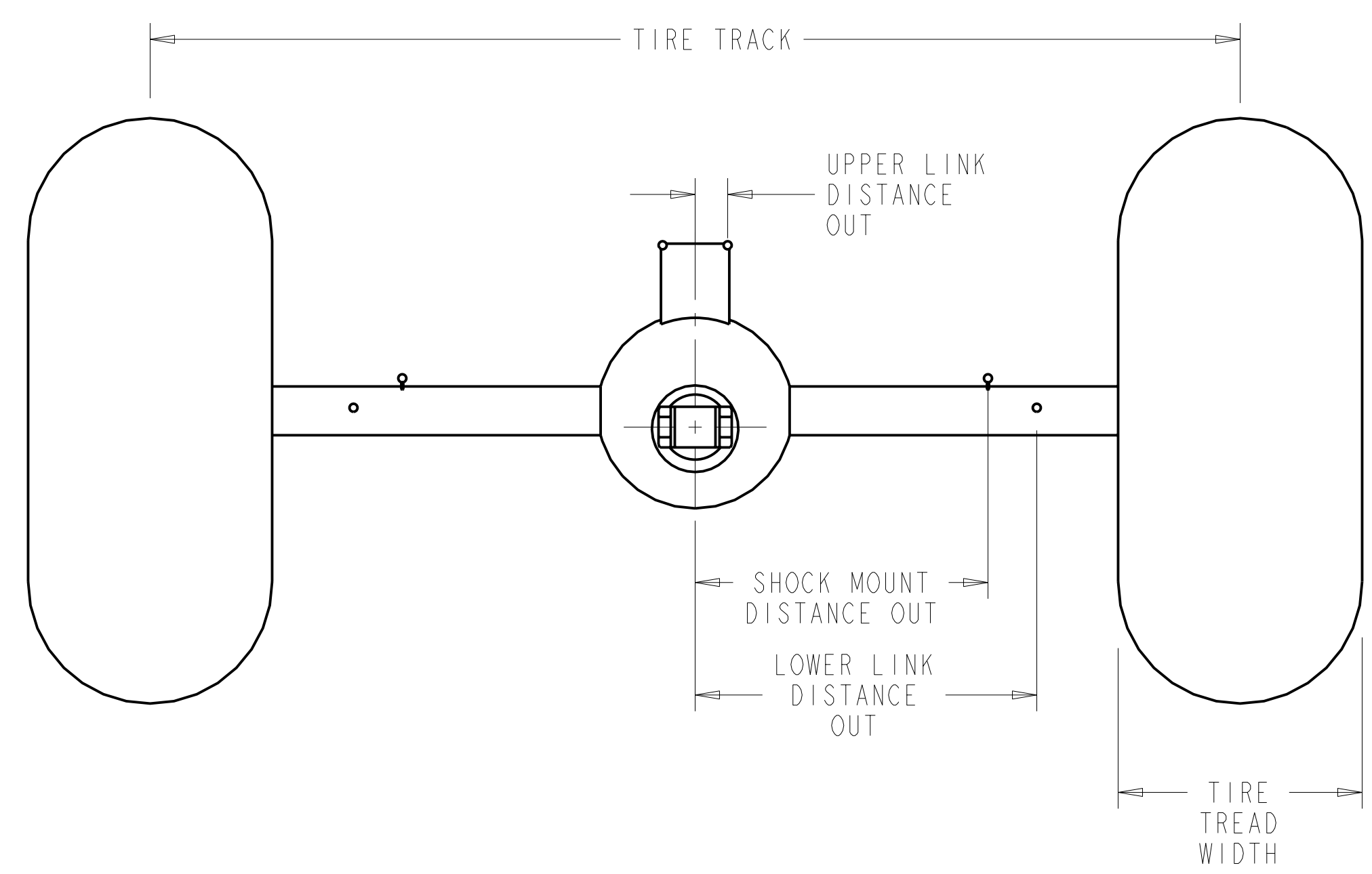
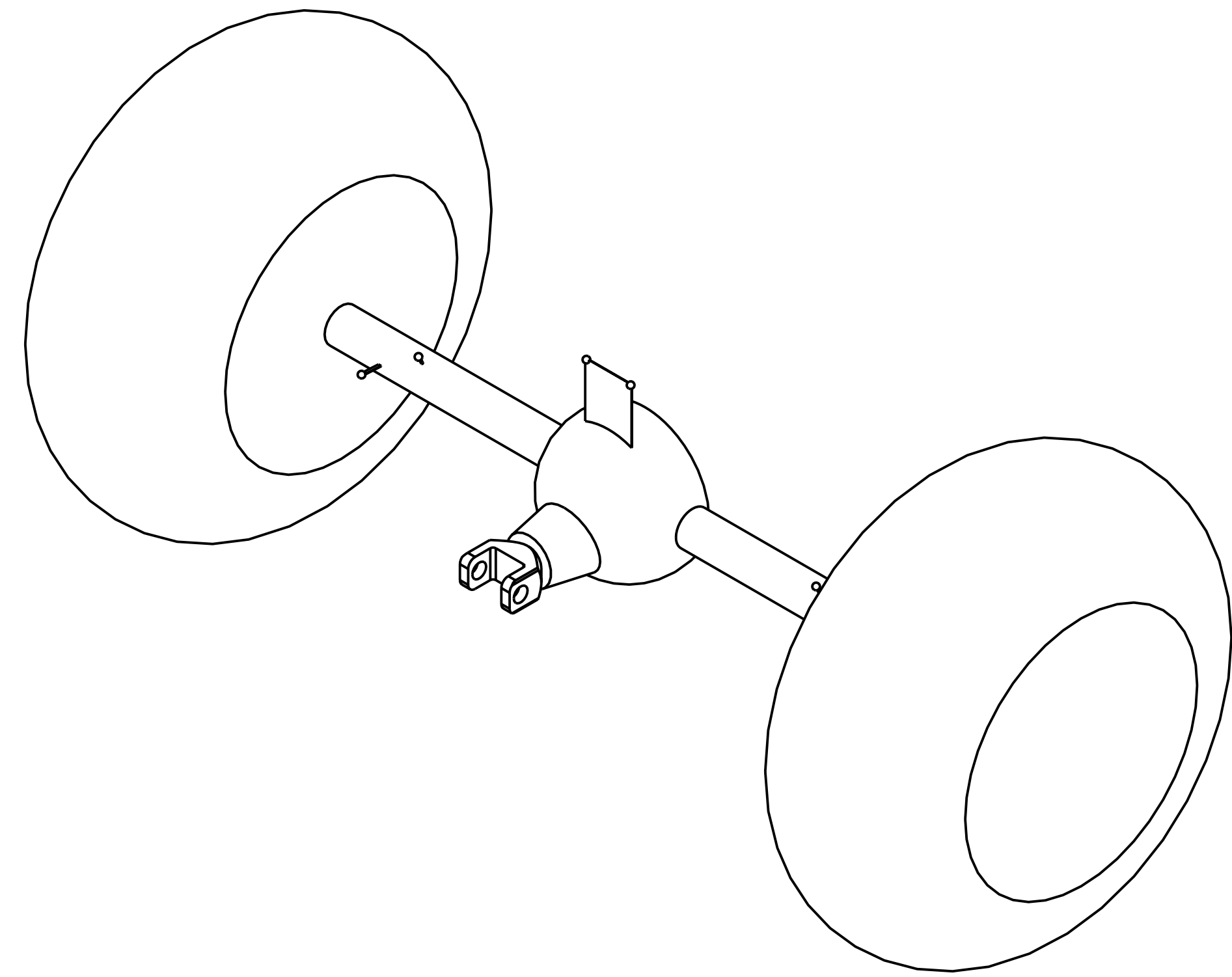
33	32	31	30	29	28	27	26	25	24	23	22	21	20	19	18	17	16	15	14	13	12	11	10	9	8	7	6	5	4	3	2	1	SHEET
INTERPRET DIMENSIONS AND TOLERANCES PER ASME Y14.5M-1994																	UNLESS OTHERWISE SPECIFIED, DIMENSIONS ARE IN INCHES; TOLERANCES: ANGLES ± 2°      2 PL DEC ± .02      3 PL DEC ± .005																
MATERIAL																	DESCRIPTION																
MATERIAL																	MILITARY DESIGNATION																
PROCESS																	FINISH																
FIRST USED ON																																	

CONTRACT	DATE
DRAWN BY	2/15/03
DESIGNED BY	DATE
CJ NONA	10/12/03
CHECKED BY	DATE
APVD FOR MFG	DATE
APVD FOR OE	DATE
APVD FOR ENGR	DATE
APVD FOR ENGR	DATE
APVD FOR	DATE

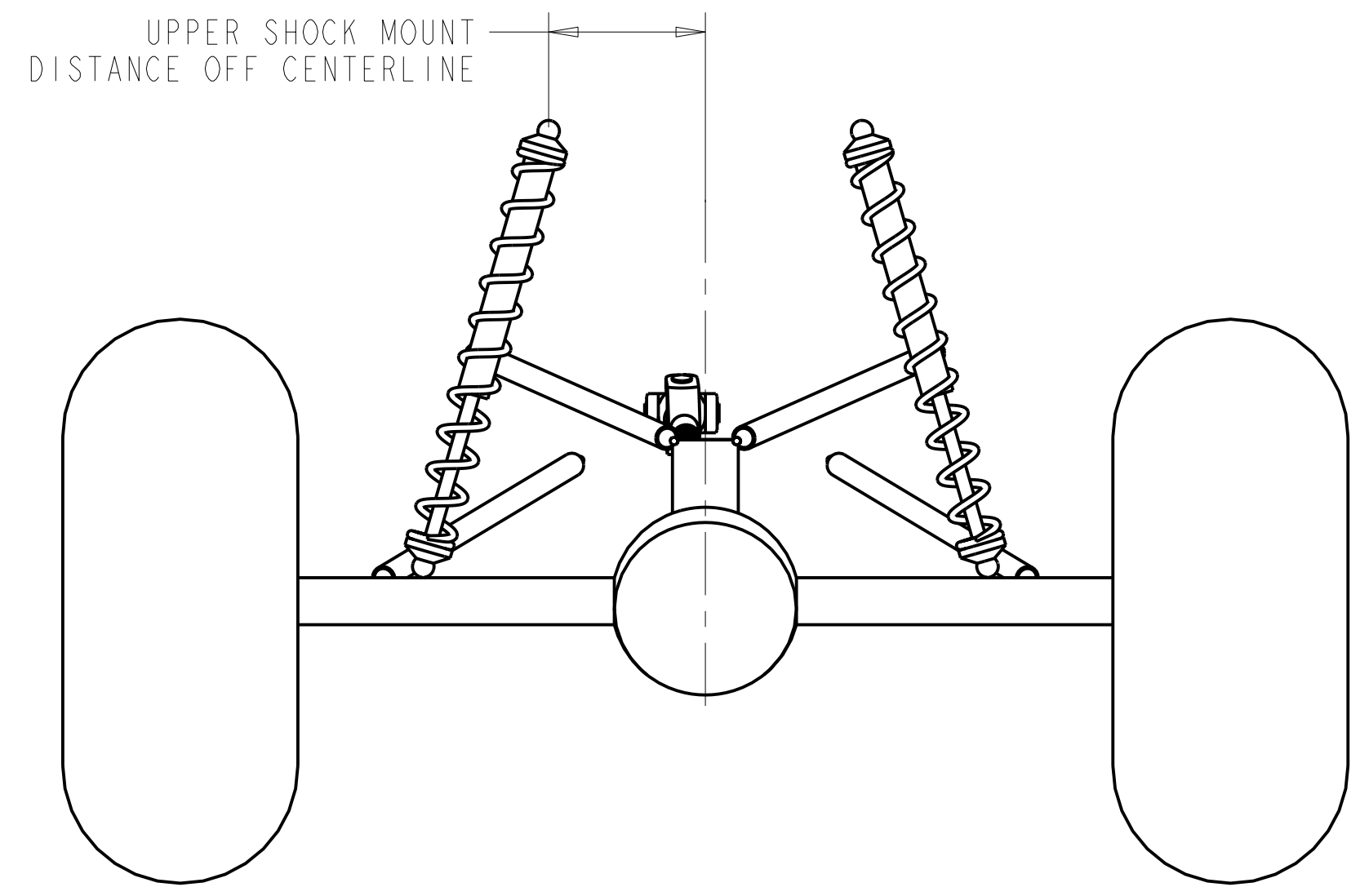
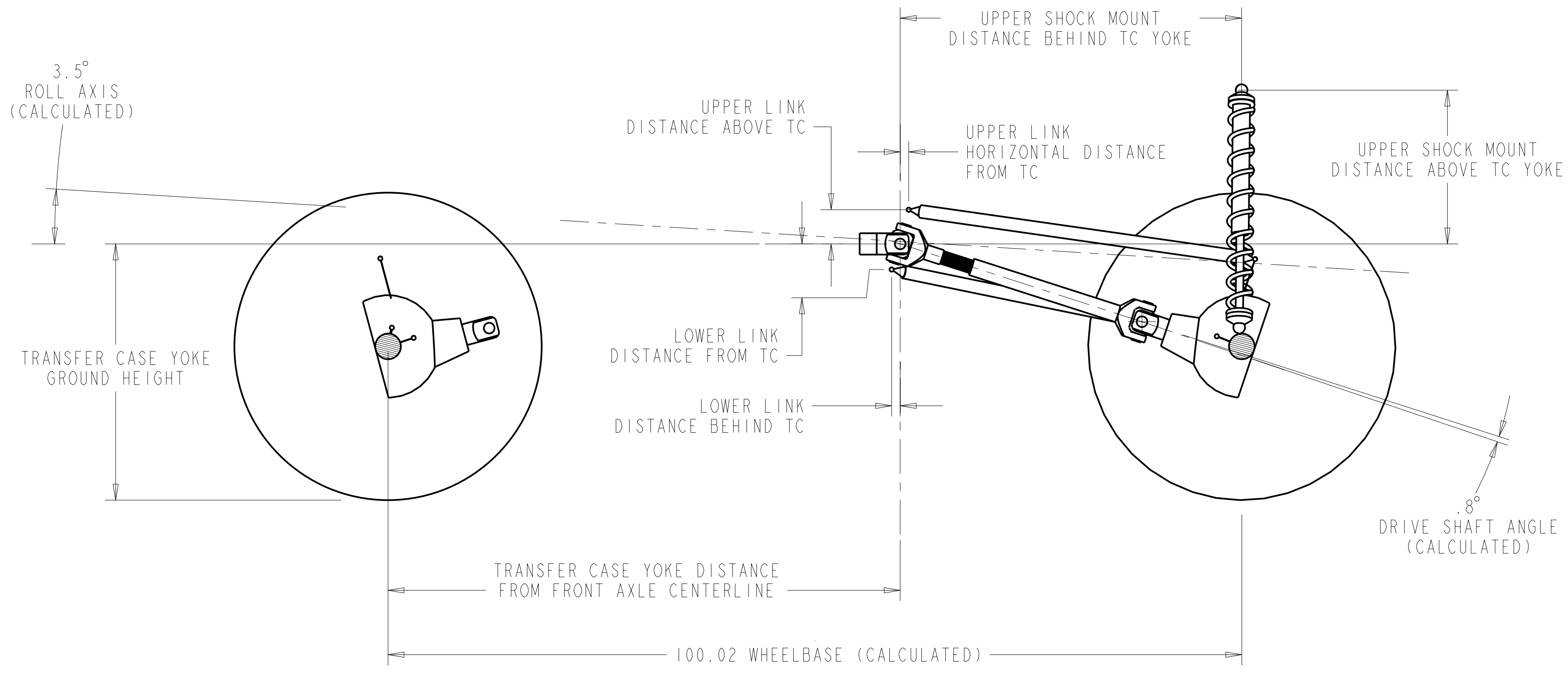
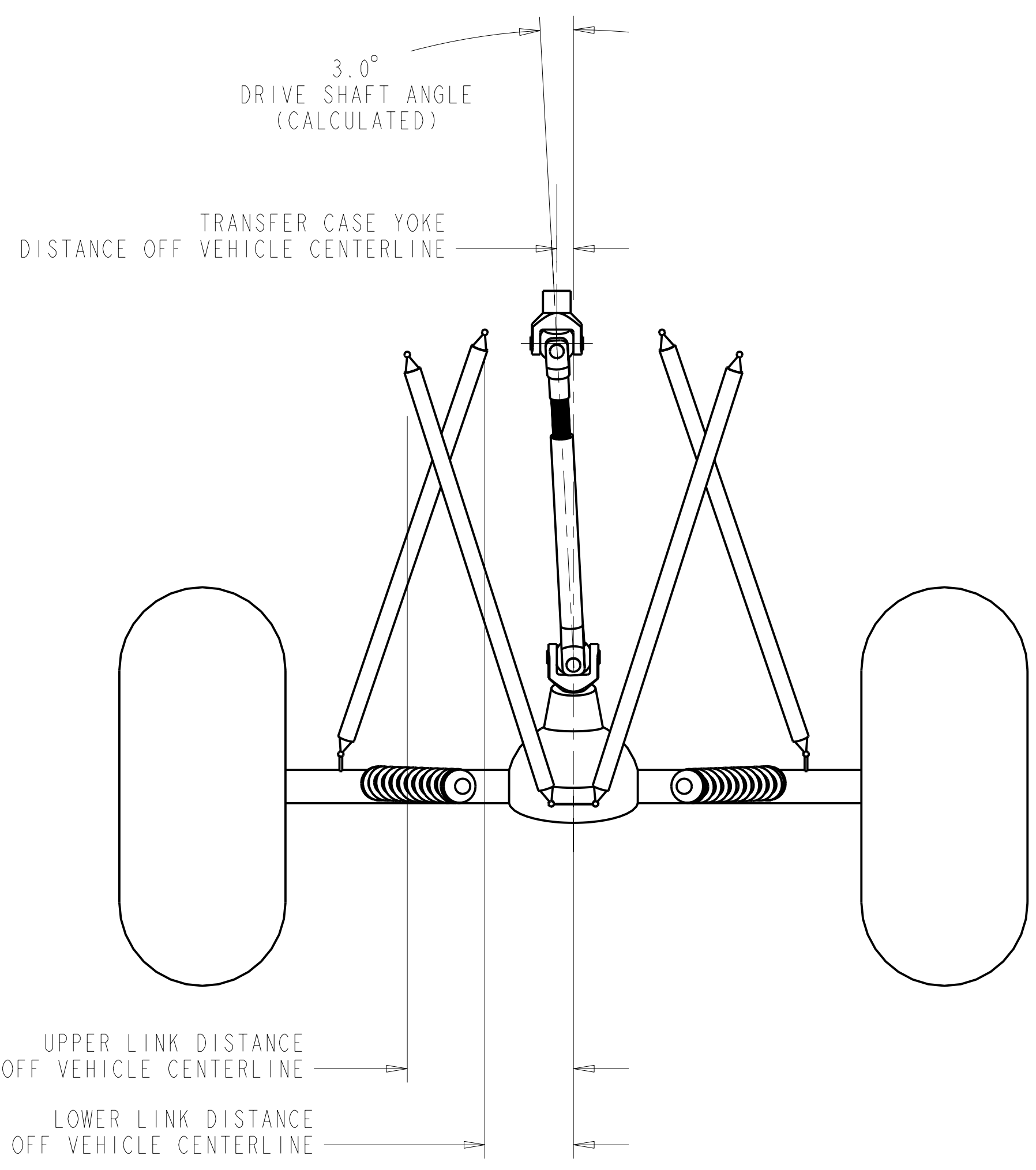
OPERATIONAL NOTE			
RSE, LLC. SUNNY PHOENIX, ARIZONA			
TITLE			
<b>SUSPENSION MOTION</b>			
SIZE	CAGE CODE	DRAWING NO.	REV
D			<b>MOTION</b> -
SCALE 0.125	UNIT WT	SHEET 1 OF 5	

### AXLE DIMENSIONS

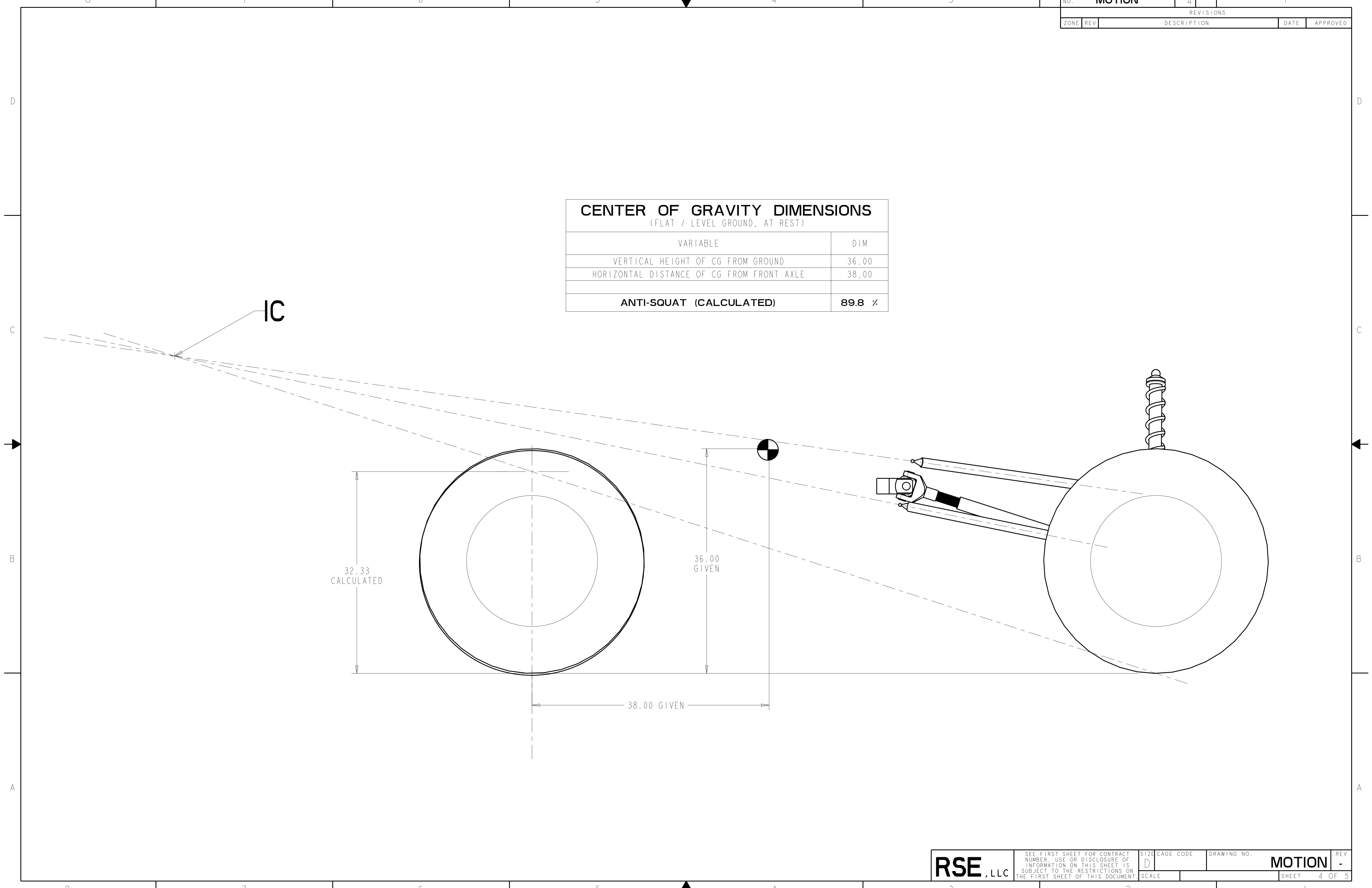
VARIABLE	DIM
AXLE TUBE DIAMETER	3.00
TIRE TRACK (CENTERLINE TO CENTERLINE)	67.00
TIRE TREAD WIDTH	15.00
MEASURED AXLE CENTERLINE HEIGHT	18.00
PINION DROP DEPTH	1.00
YOKE PIVOT DISTANCE FROM AXLE	12.00
LOWER LINK DISTANCE OUT	21.00
UPPER LINK DISTANCE OUT	2.00
LOWER LINK DISTANCE FORWARD/BACK	3.157
UPPER LINK DISTANCE FORWARD/BACK	1.795
LOWER LINK DISTANCE UP/DOWN	.189
UPPER LINK DISTANCE UP/DOWN	10.182
SHOCK MOUNT DISTANCE OUT	18.00
SHOCK MOUNT DISTANCE UP/DOWN	2.00
SHOCK MOUNT DISTANCE FORWARD/BACK	1.00

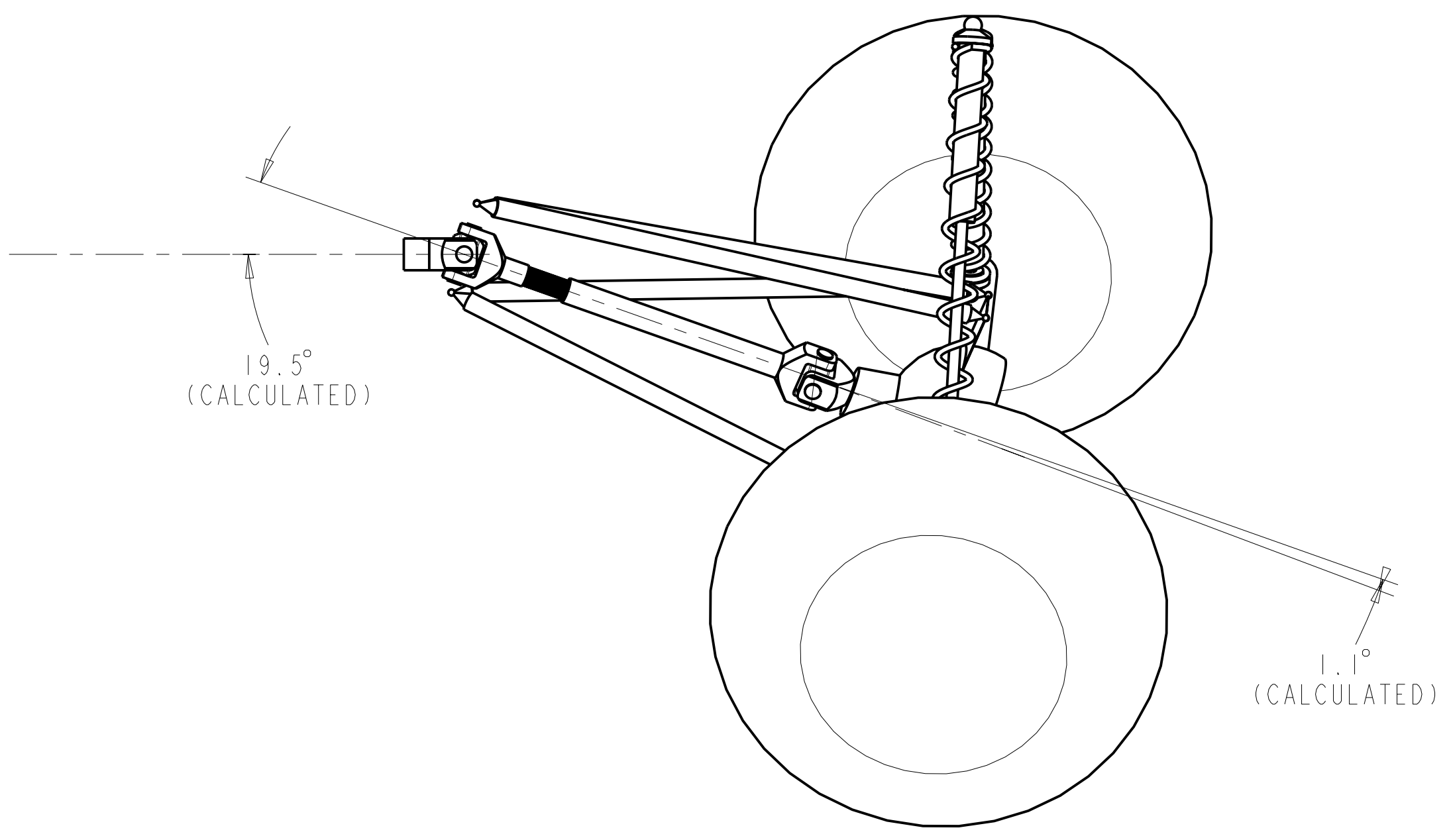
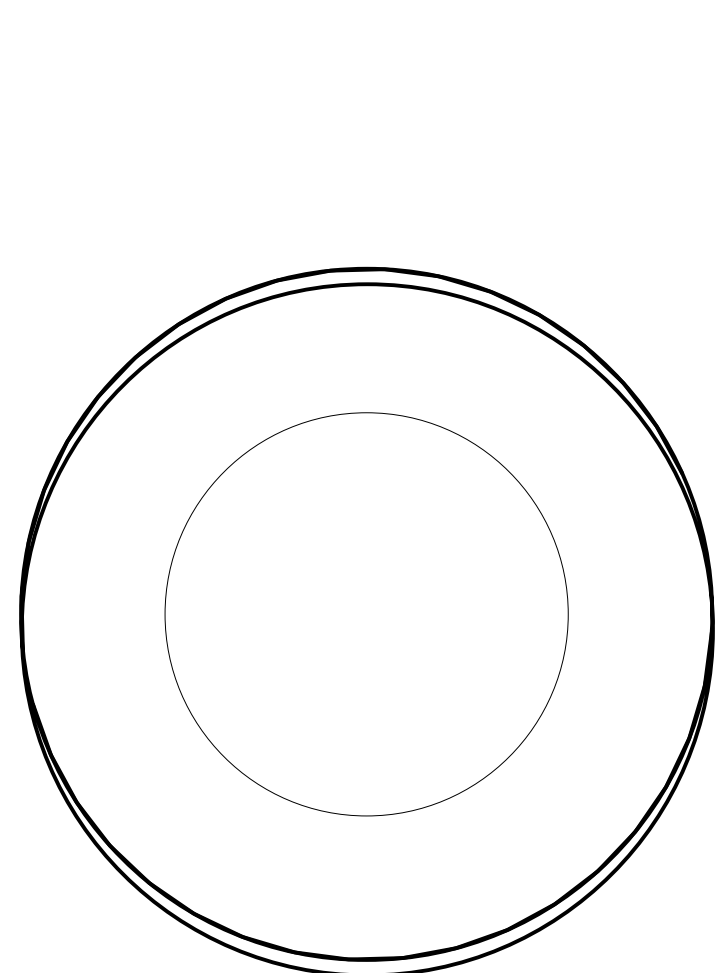
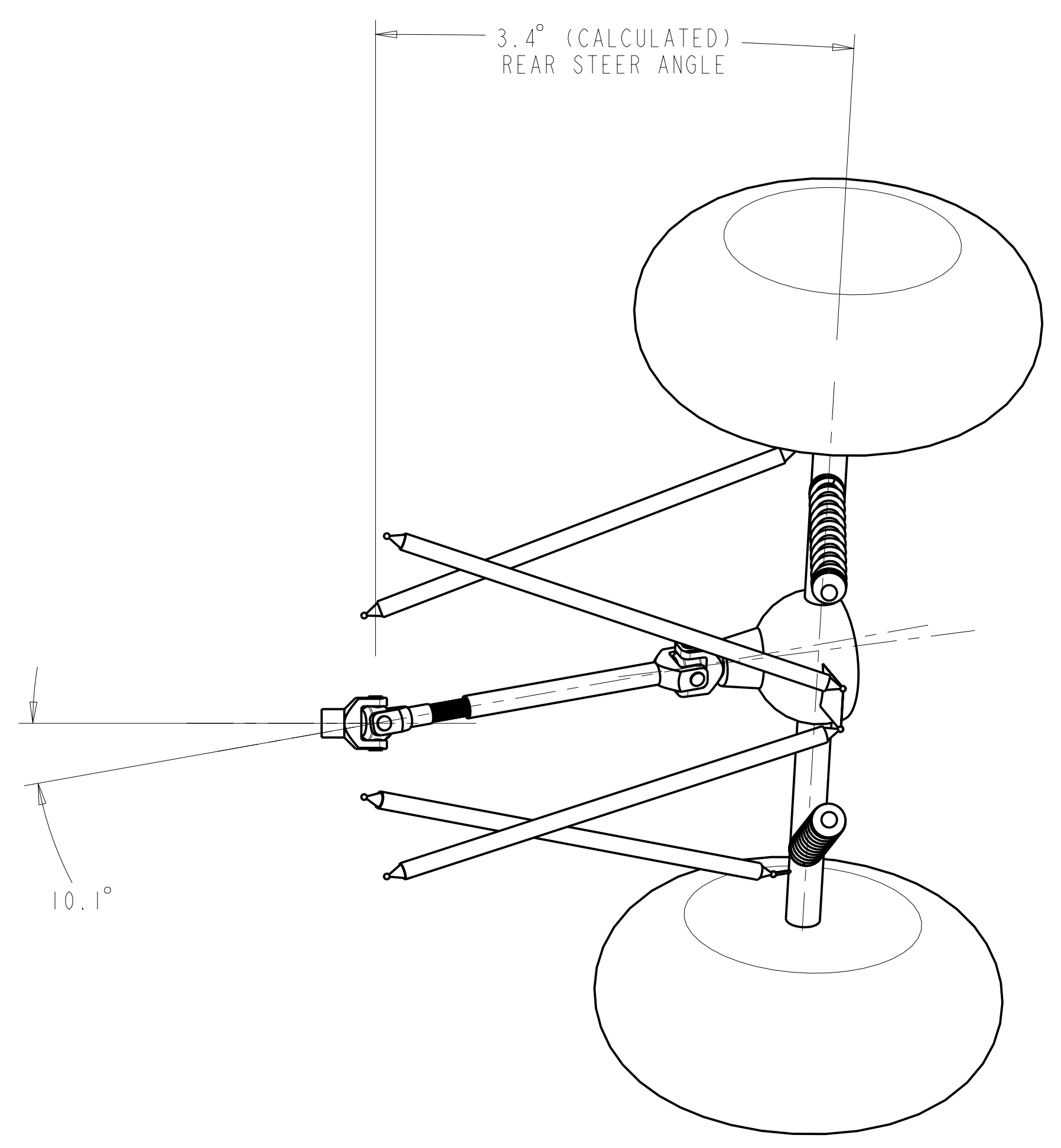
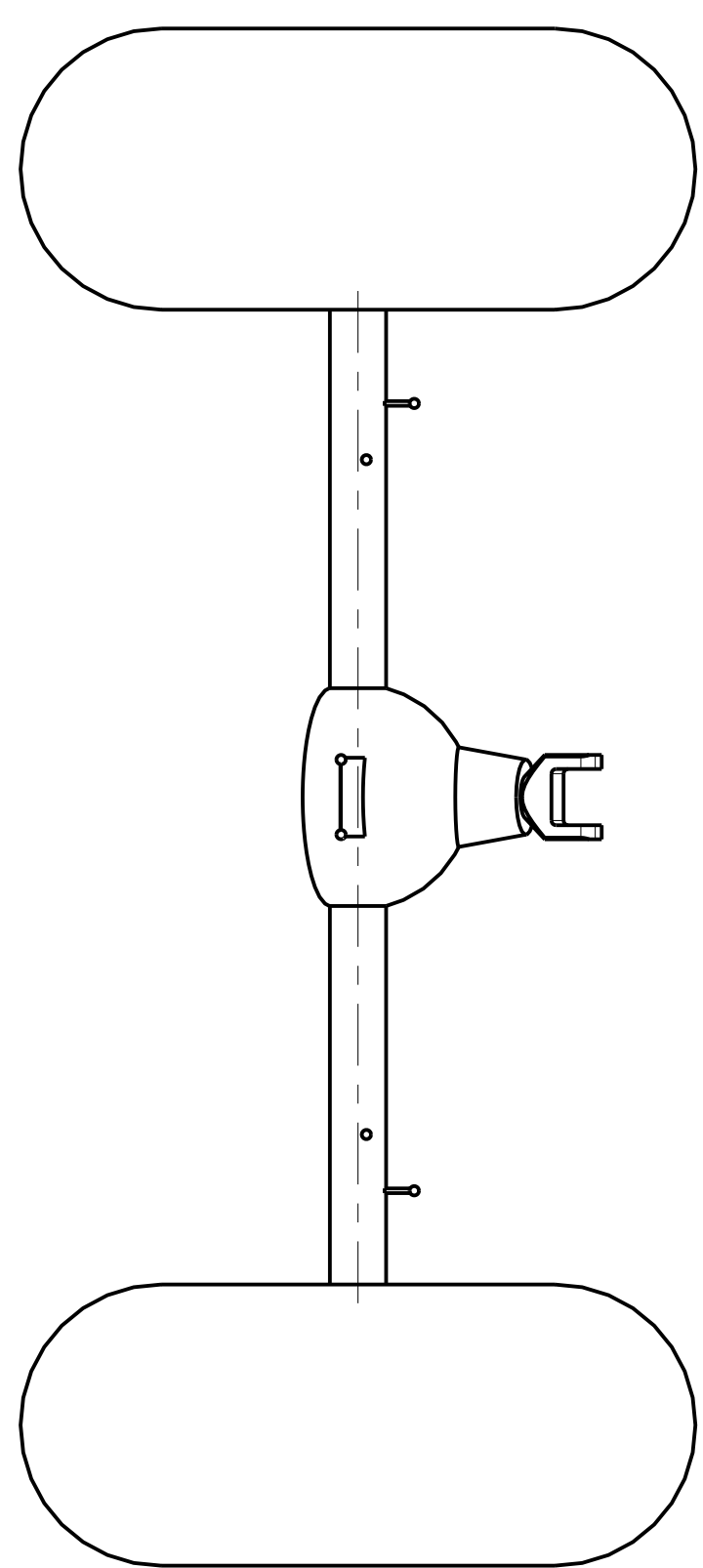


VEHICLE / LINK DIMENSIONS (FLAT / LEVEL GROUND, AT REST)	
VARIABLE	DIM
TRANSFER CASE YOKE FROM FRONT AXLE CENTERLINE	60.00
TRANSFER CASE YOKE GROUND HEIGHT	30.00
TRANSFER CASE YOKE OFF VEHICLE CENTERLINE	1.50
LOWER LINK DISTANCE ABOVE TC YOKE	3.00
UPPER LINK DISTANCE ABOVE TC YOKE	4.00
LOWER LINK DISTANCE BEHIND TC YOKE	1.000
UPPER LINK DISTANCE BEHIND TC YOKE	1.000
LOWER LINK DISTANCE OFF VEHICLE CENTERLINE	8.00
UPPER LINK DISTANCE OFF VEHICLE CENTERLINE	15.00
LOWER LINK LENGTH	41.00
UPPER LINK LENGTH	43.00
UPPER SHOCK MOUNT DISTANCE ABOVE TC YOKE	18.00
UPPER SHOCK MOUNT DISTANCE BEHIND TC YOKE	40.00
UPPER SHOCK MOUNT DISTANCE OFF VEHICLE CENTERLINE	10.00
SHOCK LENGTH AT REST (CALCULATED)	28.9
DRIVE SHAFT LENGTH AT REST (CALCULATED)	29.80

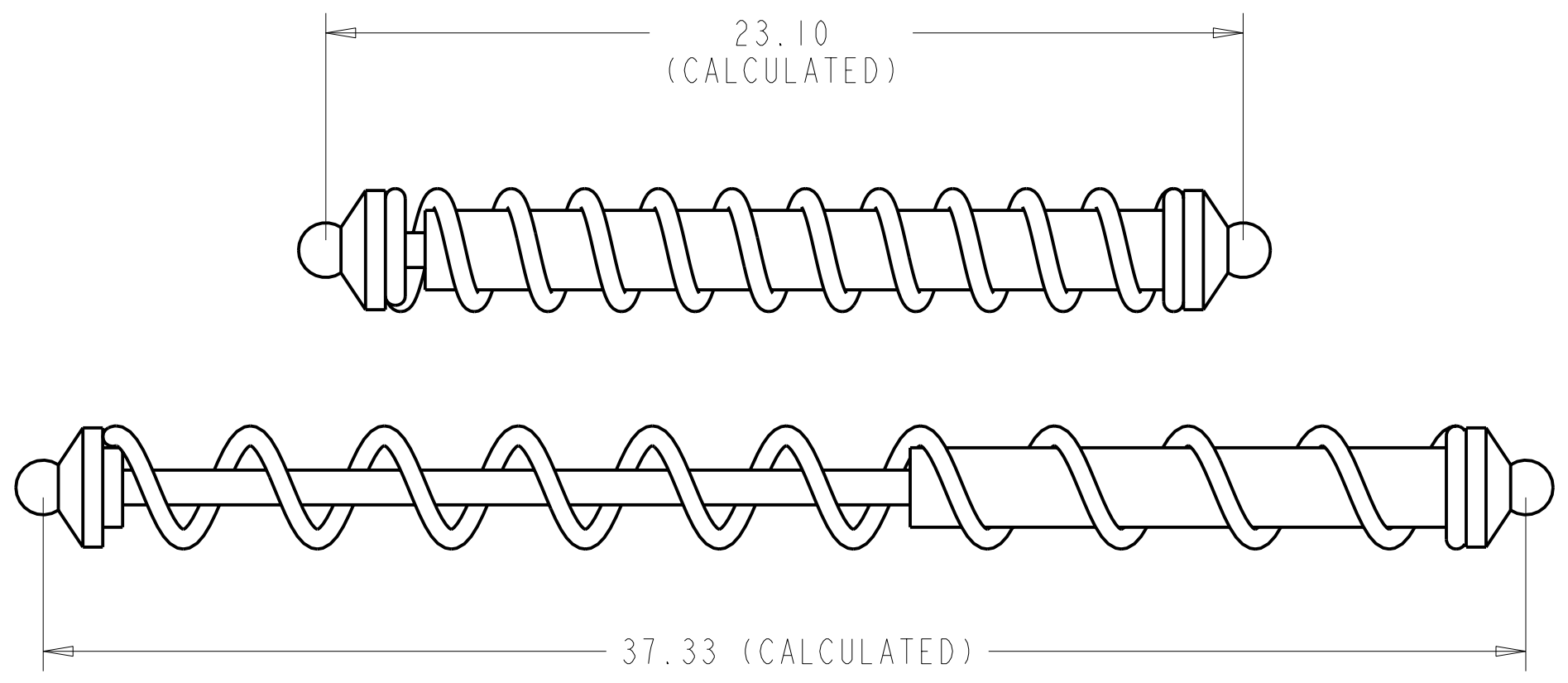


CENTER OF GRAVITY DIMENSIONS (FLAT / LEVEL GROUND, AT REST)	
VARIABLE	DIM
VERTICAL HEIGHT OF CG FROM GROUND	36.00
HORIZONTAL DISTANCE OF CG FROM FRONT AXLE	38.00
<b>ANTI-SQUAT (CALCULATED)</b>	<b>89.8 %</b>



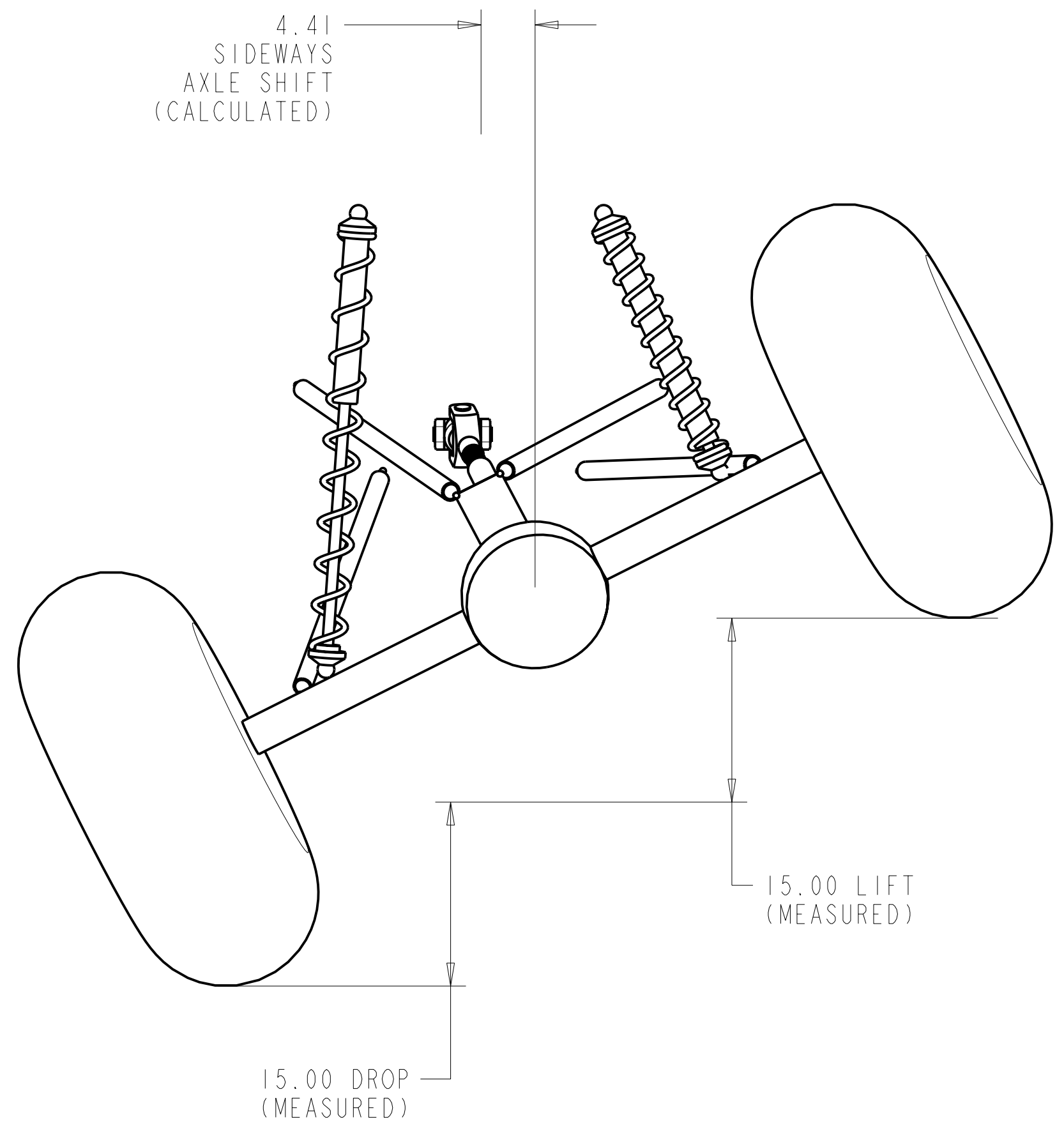


DRIVE SHAFT LENGTH AT GIVEN FLEX (CALCULATED) = 29.60



SHOCK LENGTHS AT GIVEN FLEX

SHOCK LENGTH AT REST (CALCULATED) = 28.9



RSE, LLC

SEE FIRST SHEET FOR CONTRACT NUMBER. USE OR DISCLOSURE OF INFORMATION ON THIS SHEET IS SUBJECT TO THE RESTRICTIONS ON THE FIRST SHEET OF THIS DOCUMENT.