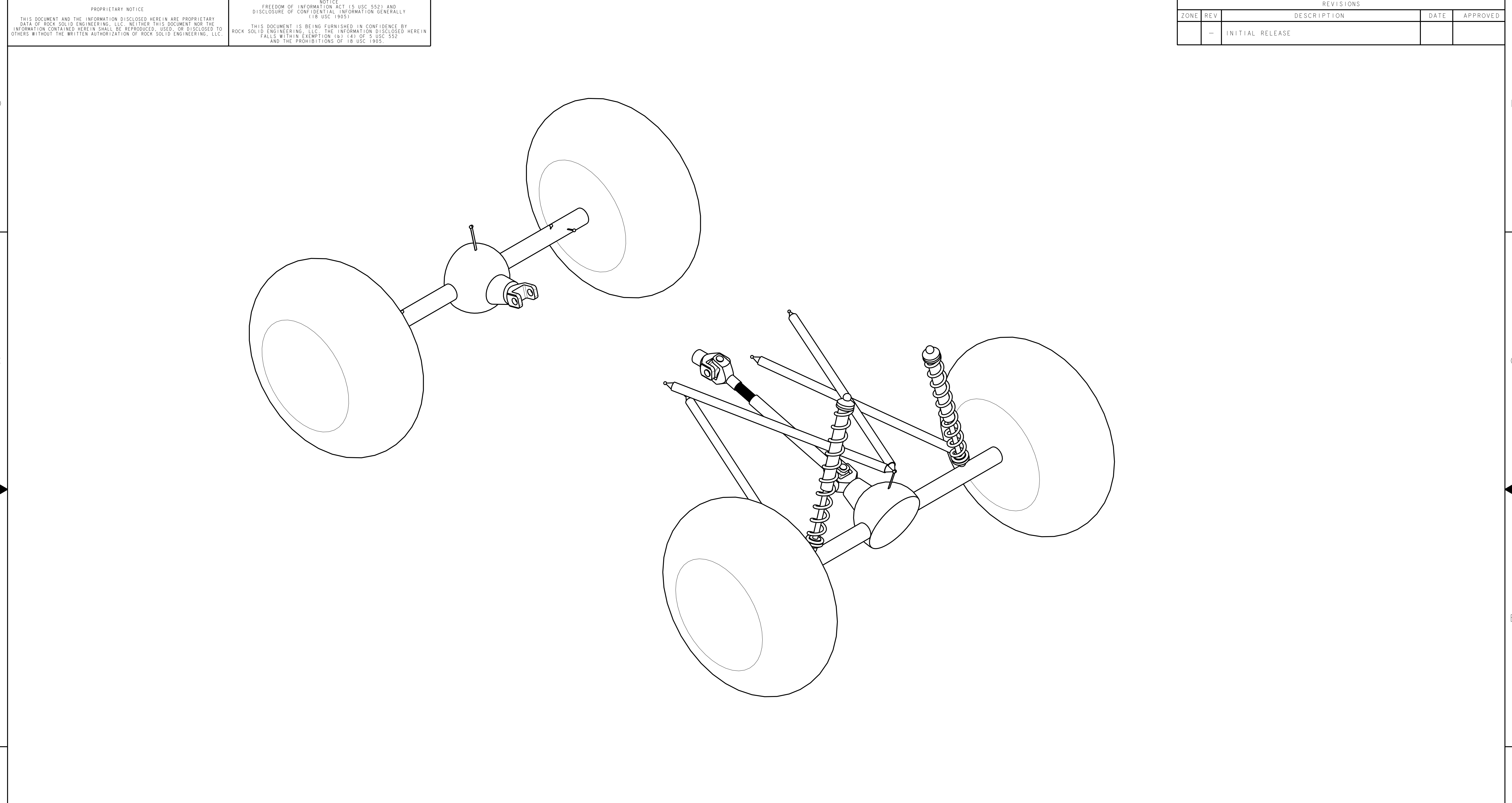


DWG NO.	MOTION		SH	1	I
REVISIONS					
ZONE	REV	DESCRIPTION	DATE	APPROVED	
	-	INITIAL RELEASE			



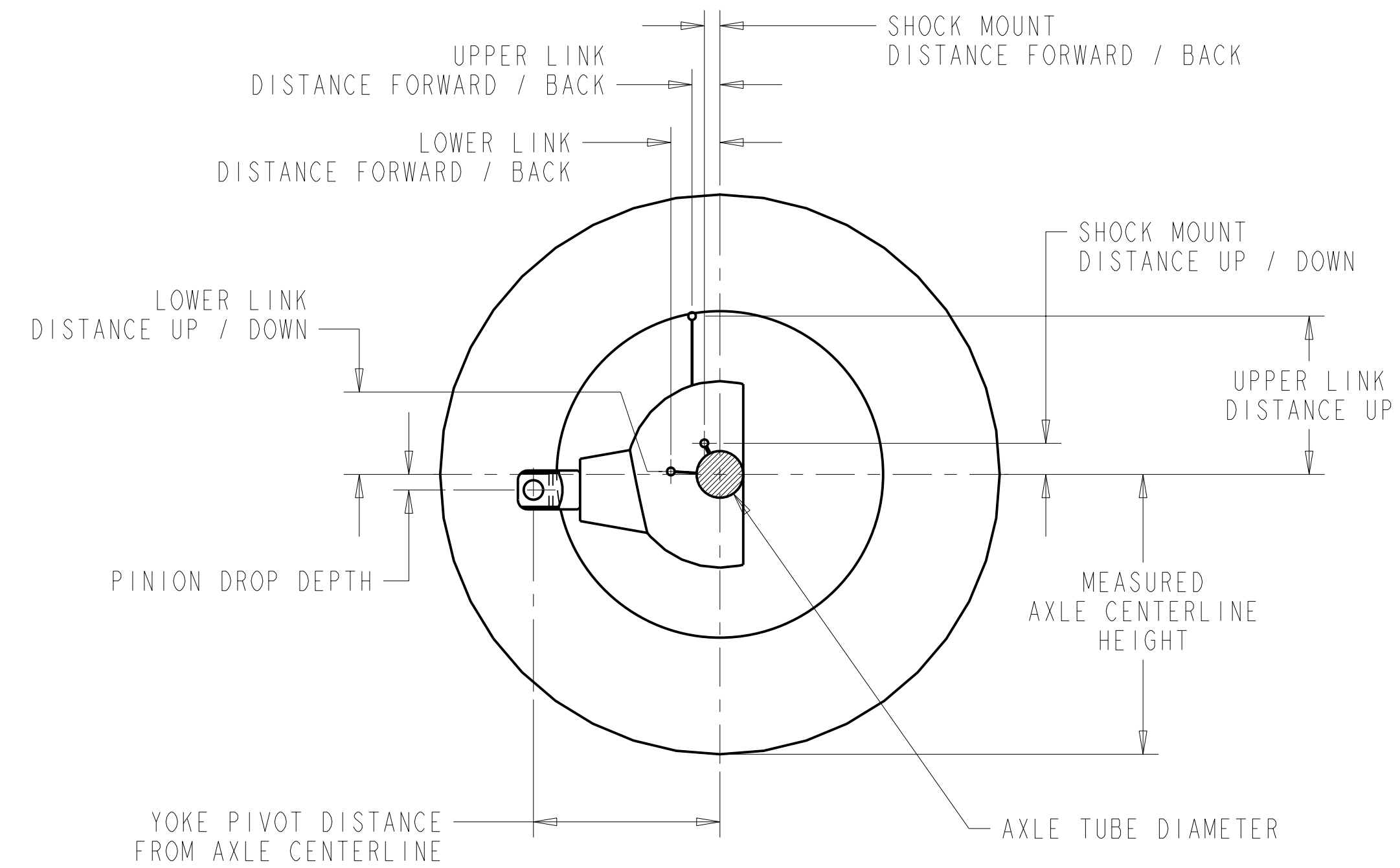
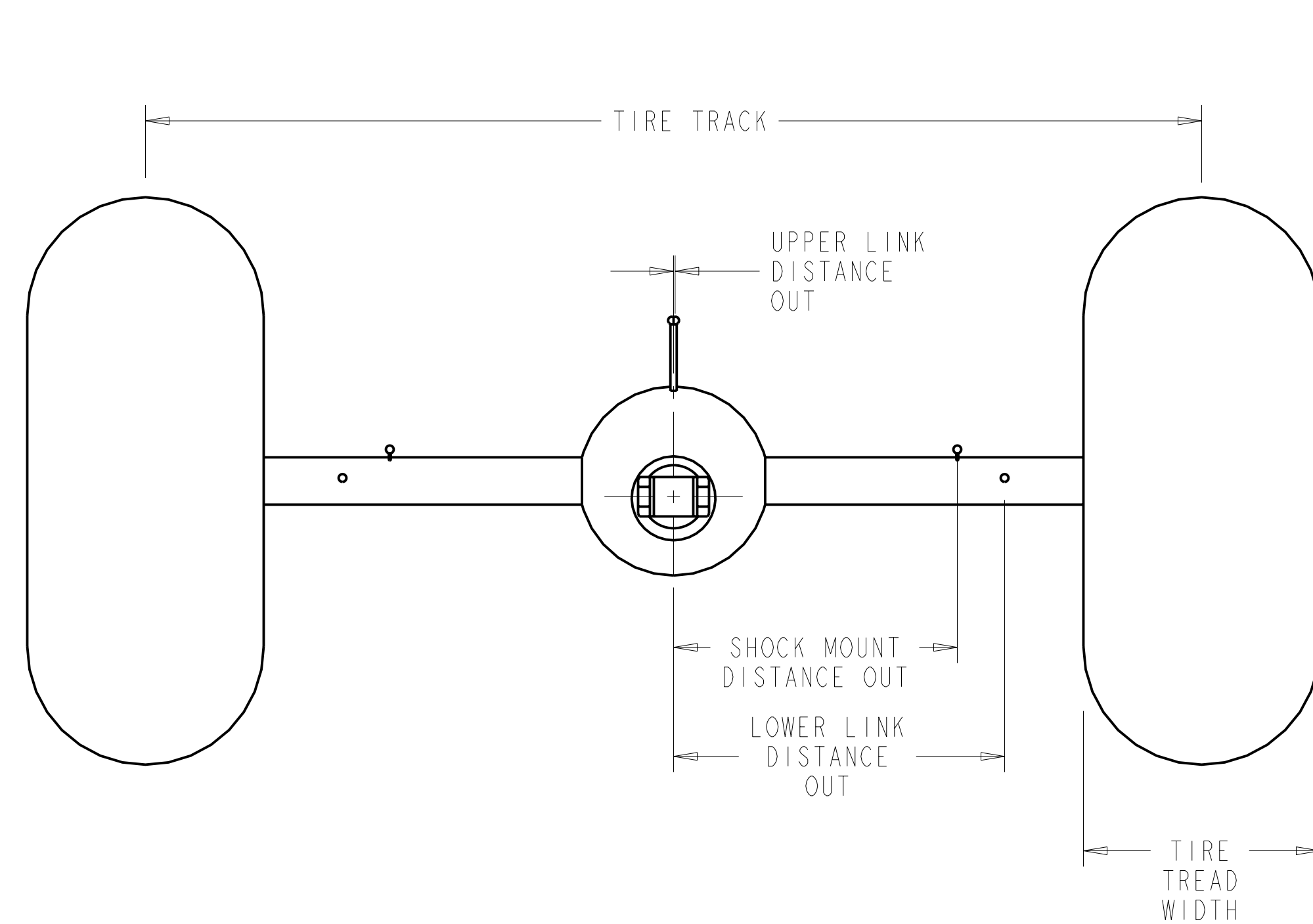
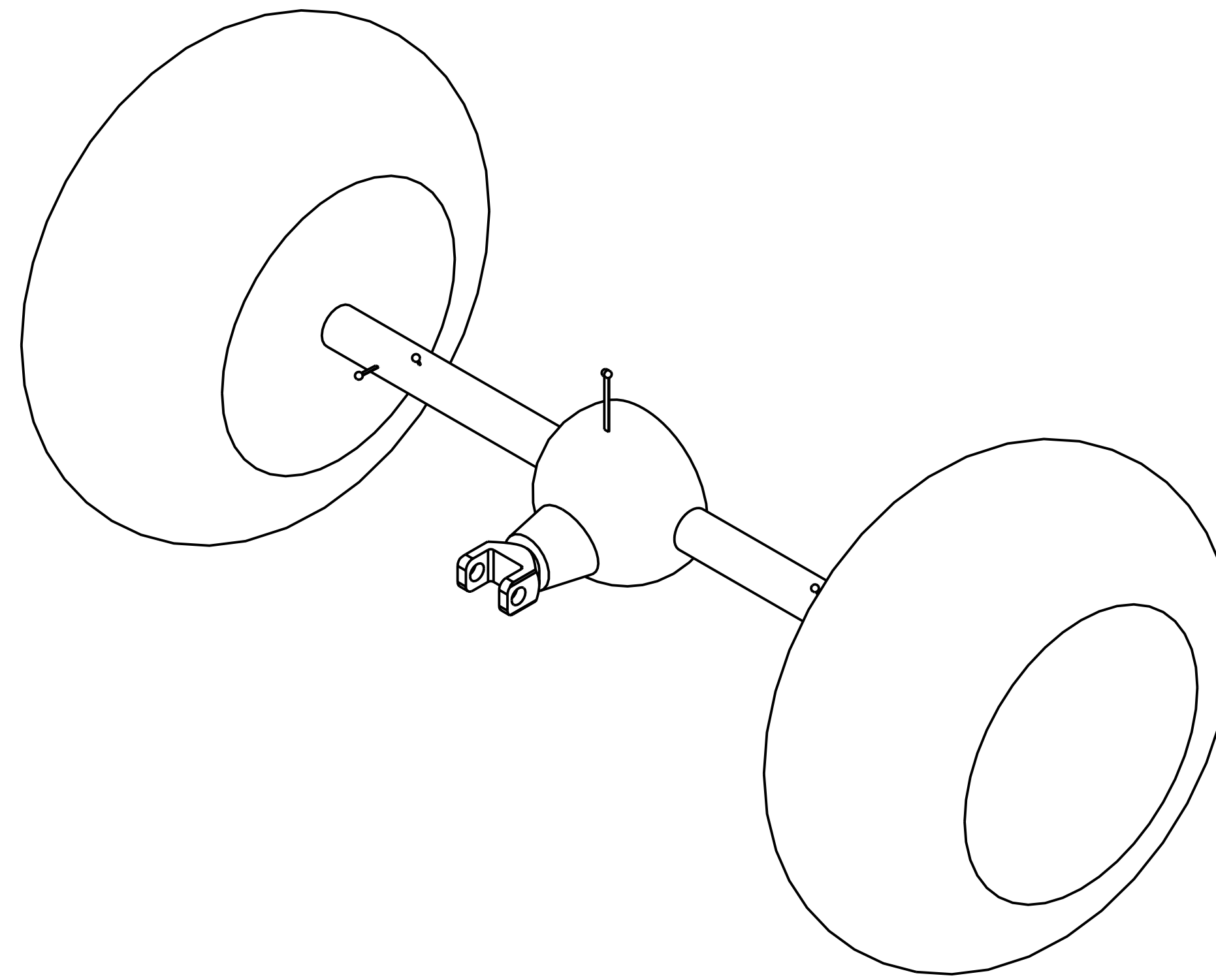
<table border="1" style="width: 100%; border-collapse: collapse;"> <tr> <td style="width: 10px;">33</td><td style="width: 10px;">32</td><td style="width: 10px;">31</td><td style="width: 10px;">30</td><td style="width: 10px;">29</td><td style="width: 10px;">28</td><td style="width: 10px;">27</td><td style="width: 10px;">26</td><td style="width: 10px;">25</td><td style="width: 10px;">24</td><td style="width: 10px;">23</td><td style="width: 10px;">22</td><td style="width: 10px;">21</td><td style="width: 10px;">20</td><td style="width: 10px;">19</td><td style="width: 10px;">18</td><td style="width: 10px;">17</td><td style="width: 10px;">16</td><td style="width: 10px;">15</td><td style="width: 10px;">14</td><td style="width: 10px;">13</td><td style="width: 10px;">12</td><td style="width: 10px;">11</td><td style="width: 10px;">10</td><td style="width: 10px;">9</td><td style="width: 10px;">8</td><td style="width: 10px;">7</td><td style="width: 10px;">6</td><td style="width: 10px;">5</td><td style="width: 10px;">4</td><td style="width: 10px;">3</td><td style="width: 10px;">2</td><td style="width: 10px;">1</td><td style="width: 10px;">SHEET</td><td style="width: 10px;">INDEX</td> </tr> <tr> <td colspan="18">INTERPRET DIMENSIONS AND TOLERANCES PER ASME Y14.5M-1994</td> <td colspan="10">UNLESS OTHERWISE SPECIFIED, DIMENSIONS ARE IN INCHES; TOLERANCES: ANGLES ± 2° 2 PL DEC ± .02 3 PL DEC ± .005</td> </tr> <tr> <td colspan="4">MATERIAL</td> <td colspan="4">PROCESS</td> <td colspan="4">FINISH</td> <td colspan="4">MILITARY DESIGNATION</td> <td colspan="4">DESCRIPTION</td> <td colspan="2" rowspan="3"> THIRD ANGLE PROJECTION DWG CLASS A FIRST USED ON </td> </tr> <tr> <td colspan="4">MATERIAL</td> <td colspan="4">PROCESS</td> <td colspan="4">FINISH</td> <td colspan="4">MILITARY DESIGNATION</td> <td colspan="4">DESCRIPTION</td> </tr> <tr> <td colspan="4">MATERIAL</td> <td colspan="4">PROCESS</td> <td colspan="4">FINISH</td> <td colspan="4">MILITARY DESIGNATION</td> <td colspan="4">DESCRIPTION</td> </tr> </table>																		33	32	31	30	29	28	27	26	25	24	23	22	21	20	19	18	17	16	15	14	13	12	11	10	9	8	7	6	5	4	3	2	1	SHEET	INDEX	INTERPRET DIMENSIONS AND TOLERANCES PER ASME Y14.5M-1994																		UNLESS OTHERWISE SPECIFIED, DIMENSIONS ARE IN INCHES; TOLERANCES: ANGLES ± 2° 2 PL DEC ± .02 3 PL DEC ± .005										MATERIAL				PROCESS				FINISH				MILITARY DESIGNATION				DESCRIPTION				THIRD ANGLE PROJECTION DWG CLASS A FIRST USED ON		MATERIAL				PROCESS				FINISH				MILITARY DESIGNATION				DESCRIPTION				MATERIAL				PROCESS				FINISH				MILITARY DESIGNATION				DESCRIPTION				CONTRACT		OPERATIONAL NOTE	
33	32	31	30	29	28	27	26	25	24	23	22	21	20	19	18	17	16	15	14	13	12	11	10	9	8	7	6	5	4	3	2	1	SHEET	INDEX																																																																																																																
INTERPRET DIMENSIONS AND TOLERANCES PER ASME Y14.5M-1994																		UNLESS OTHERWISE SPECIFIED, DIMENSIONS ARE IN INCHES; TOLERANCES: ANGLES ± 2° 2 PL DEC ± .02 3 PL DEC ± .005																																																																																																																																
MATERIAL				PROCESS				FINISH				MILITARY DESIGNATION				DESCRIPTION				THIRD ANGLE PROJECTION DWG CLASS A FIRST USED ON																																																																																																																														
MATERIAL				PROCESS				FINISH				MILITARY DESIGNATION				DESCRIPTION																																																																																																																																		
MATERIAL				PROCESS				FINISH				MILITARY DESIGNATION				DESCRIPTION																																																																																																																																		
DRAWN BY		DATE		RSE, LLC. SUNNY PHOENIX, ARIZONA TITLE SUSPENSION MOTION SIZE D CAGE CODE DRAWING NO. MOTION REV - SCALE 0.125 UNIT WT SHEET 1 OF 5																																																																																																																																														
CJ NONA		2/15/03																																																																																																																																																
DESIGNED BY		DATE																																																																																																																																																
CJ NONA		10/12/03																																																																																																																																																
CHECKED BY		DATE																																																																																																																																																
APVD FOR MFG		DATE																																																																																																																																																
APVD FOR OE		DATE																																																																																																																																																
APVD FOR ENGR		DATE																																																																																																																																																
APVD FOR ENGR		DATE																																																																																																																																																
APVD FOR		DATE																																																																																																																																																

8 7 6 5 4 3 2 1

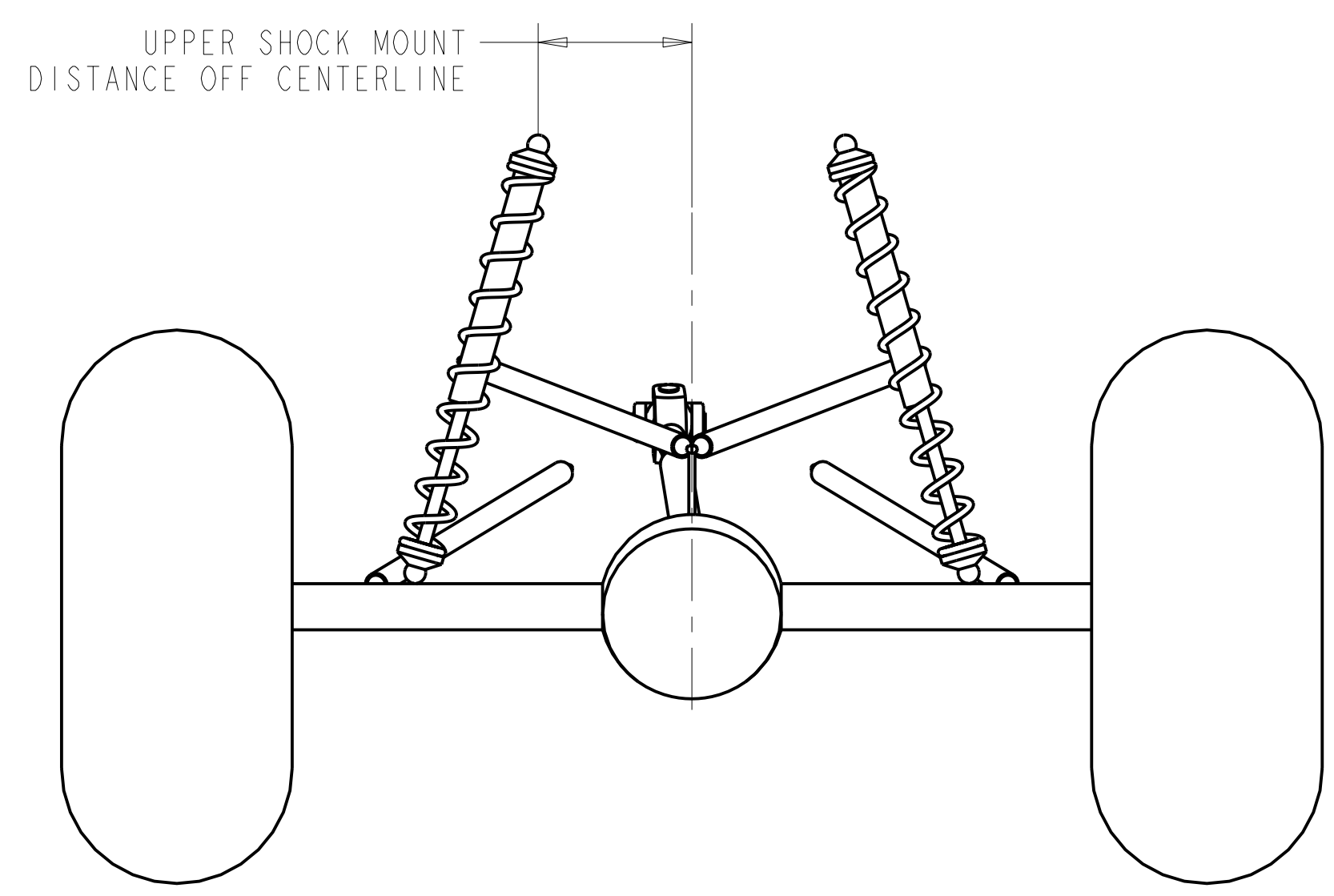
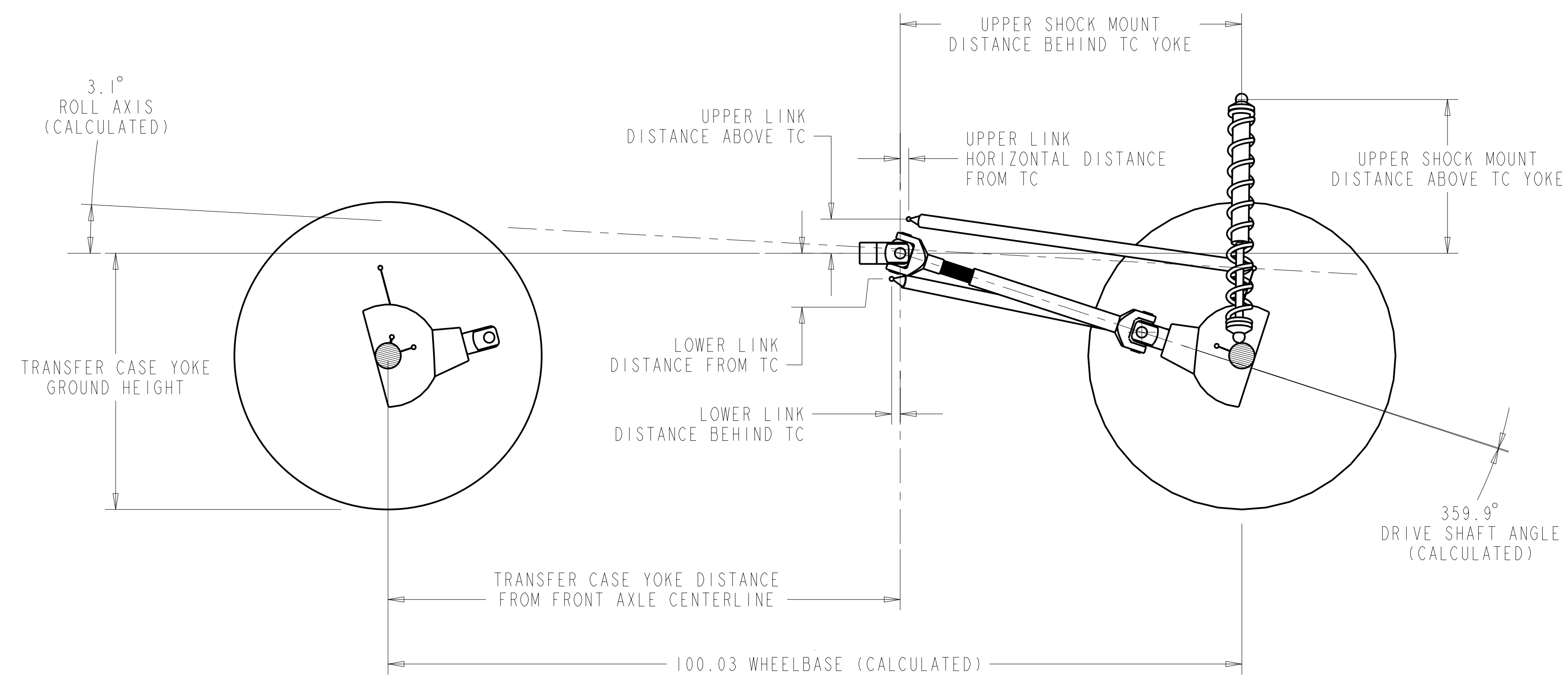
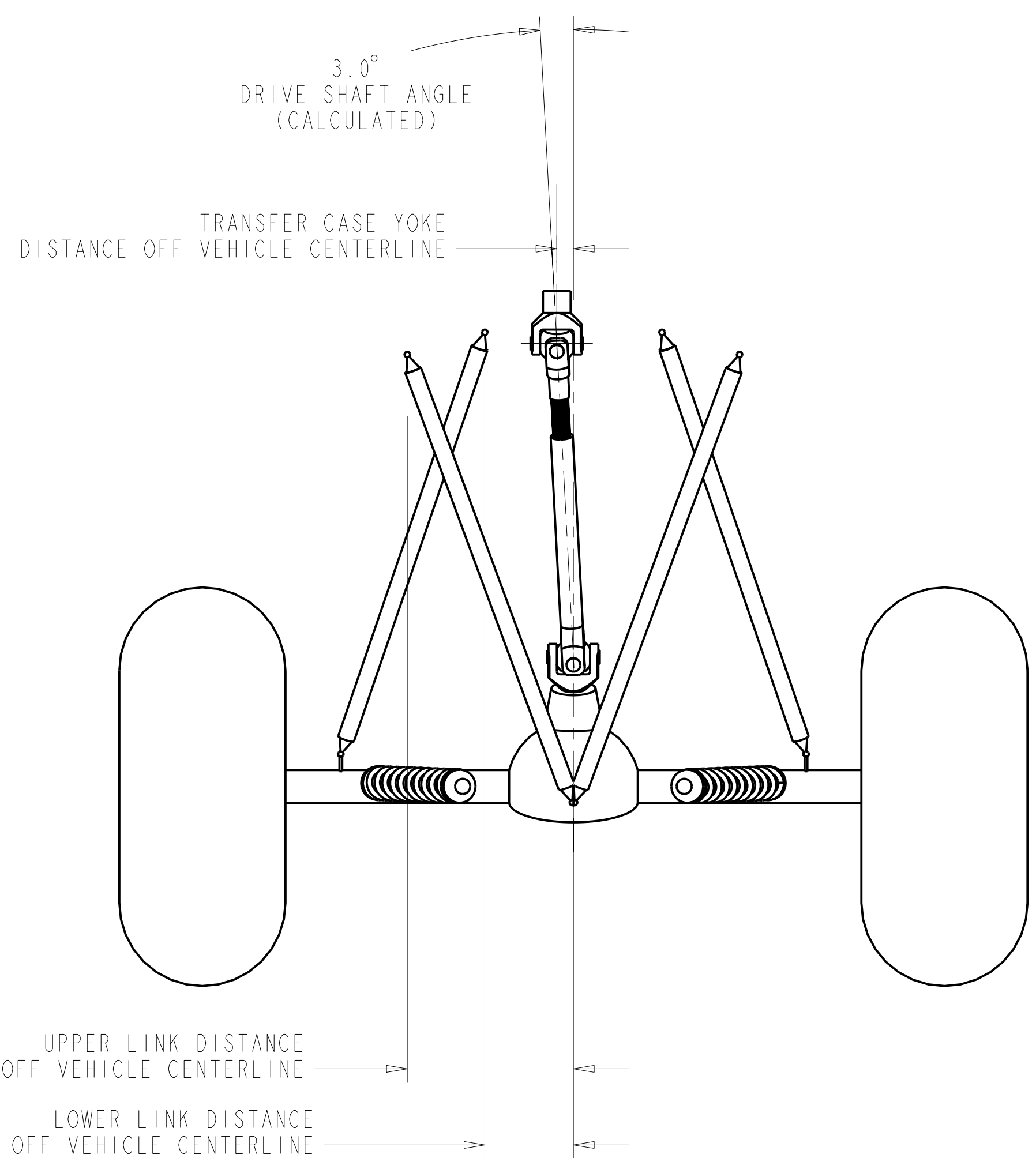
8 7 6 5 4 3 2 1

AXLE DIMENSIONS

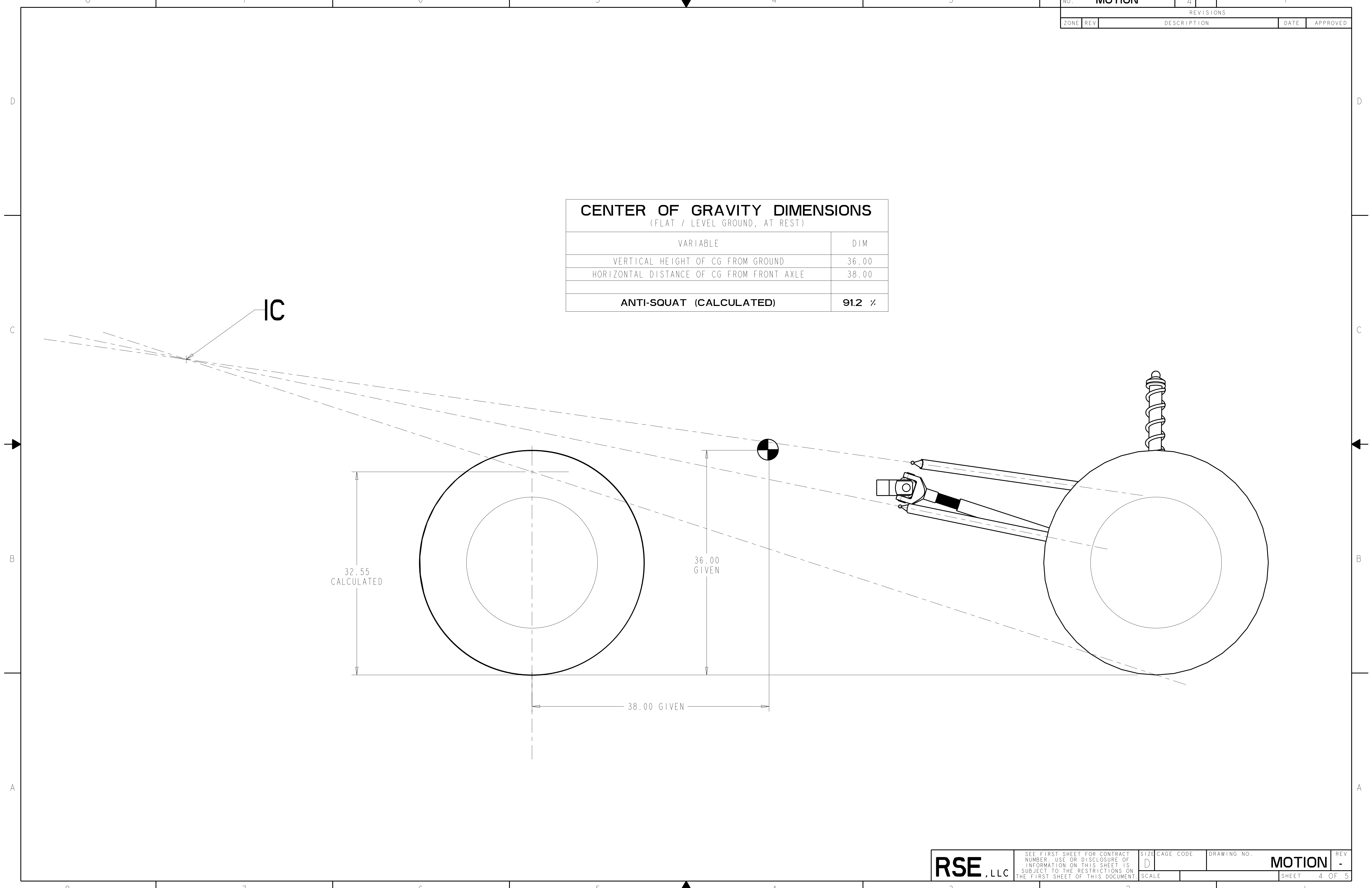
VARIABLE	DIM
AXLE TUBE DIAMETER	3.00
TIRE TRACK (CENTERLINE TO CENTERLINE)	67.00
TIRE TREAD WIDTH	15.00
MEASURED AXLE CENTERLINE HEIGHT	18.00
PINION DROP DEPTH	1.00
YOKE PIVOT DISTANCE FROM AXLE	12.00
LOWER LINK DISTANCE OUT	21.00
UPPER LINK DISTANCE OUT	.10
LOWER LINK DISTANCE FORWARD/BACK	3.157
UPPER LINK DISTANCE FORWARD/BACK	1.795
LOWER LINK DISTANCE UP/DOWN	.189
UPPER LINK DISTANCE UP/DOWN	10.182
SHOCK MOUNT DISTANCE OUT	18.00
SHOCK MOUNT DISTANCE UP/DOWN	2.00
SHOCK MOUNT DISTANCE FORWARD/BACK	1.00

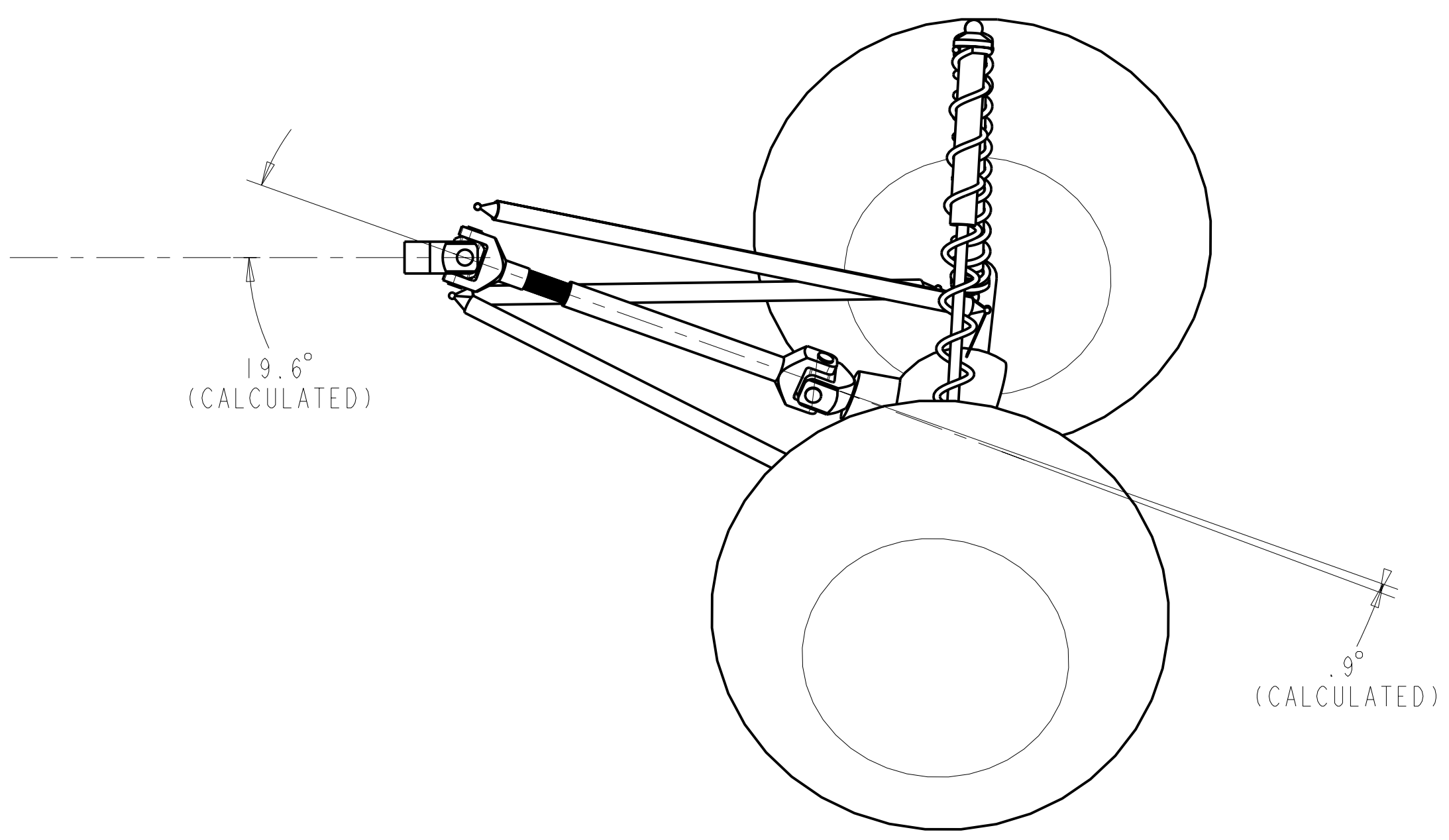
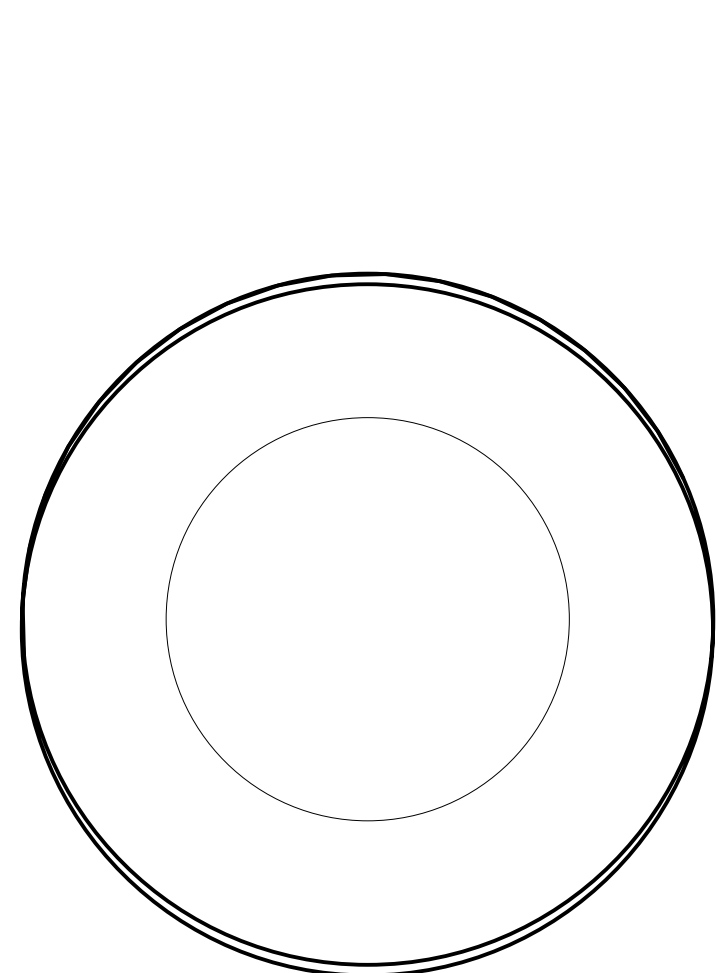
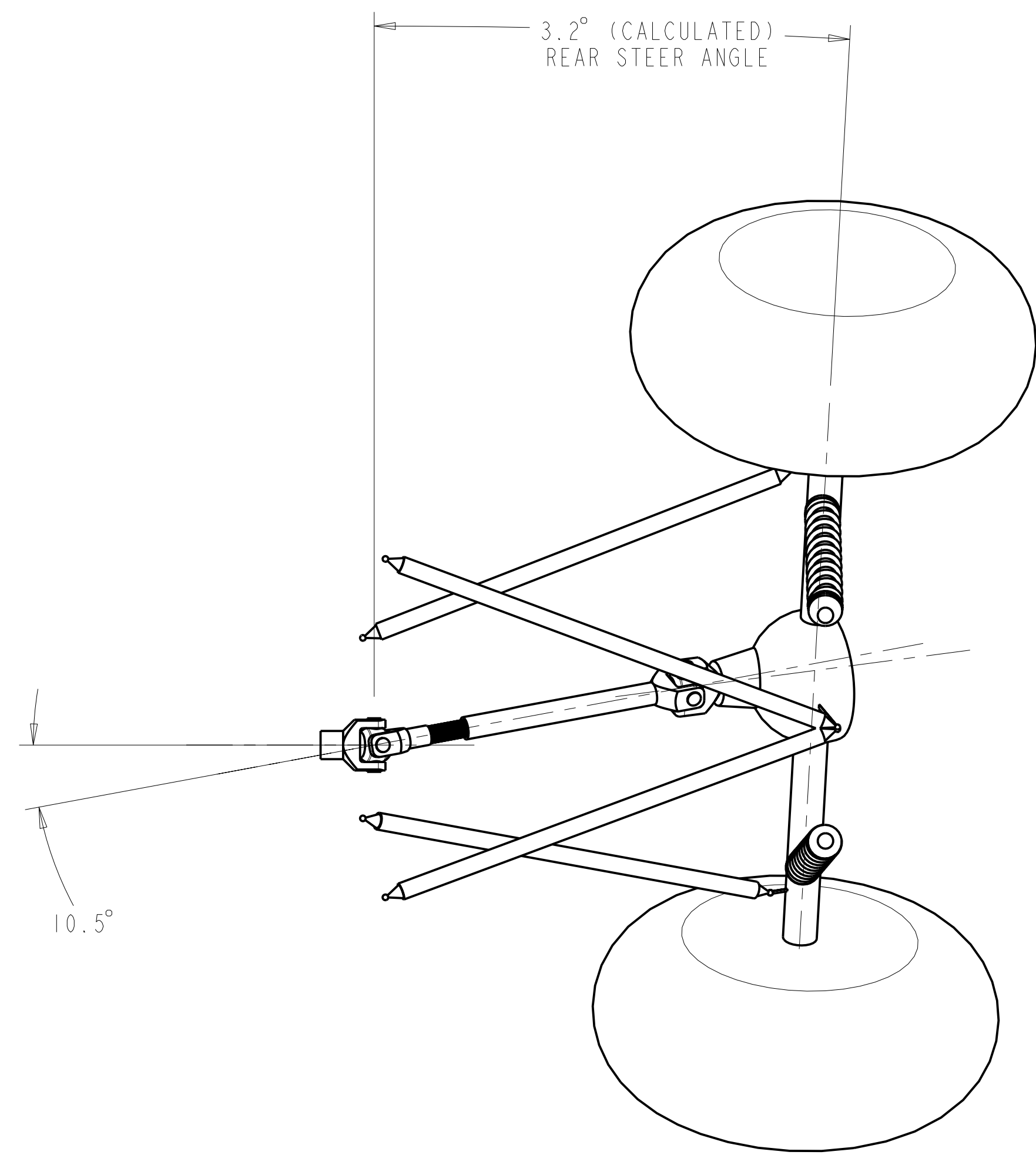
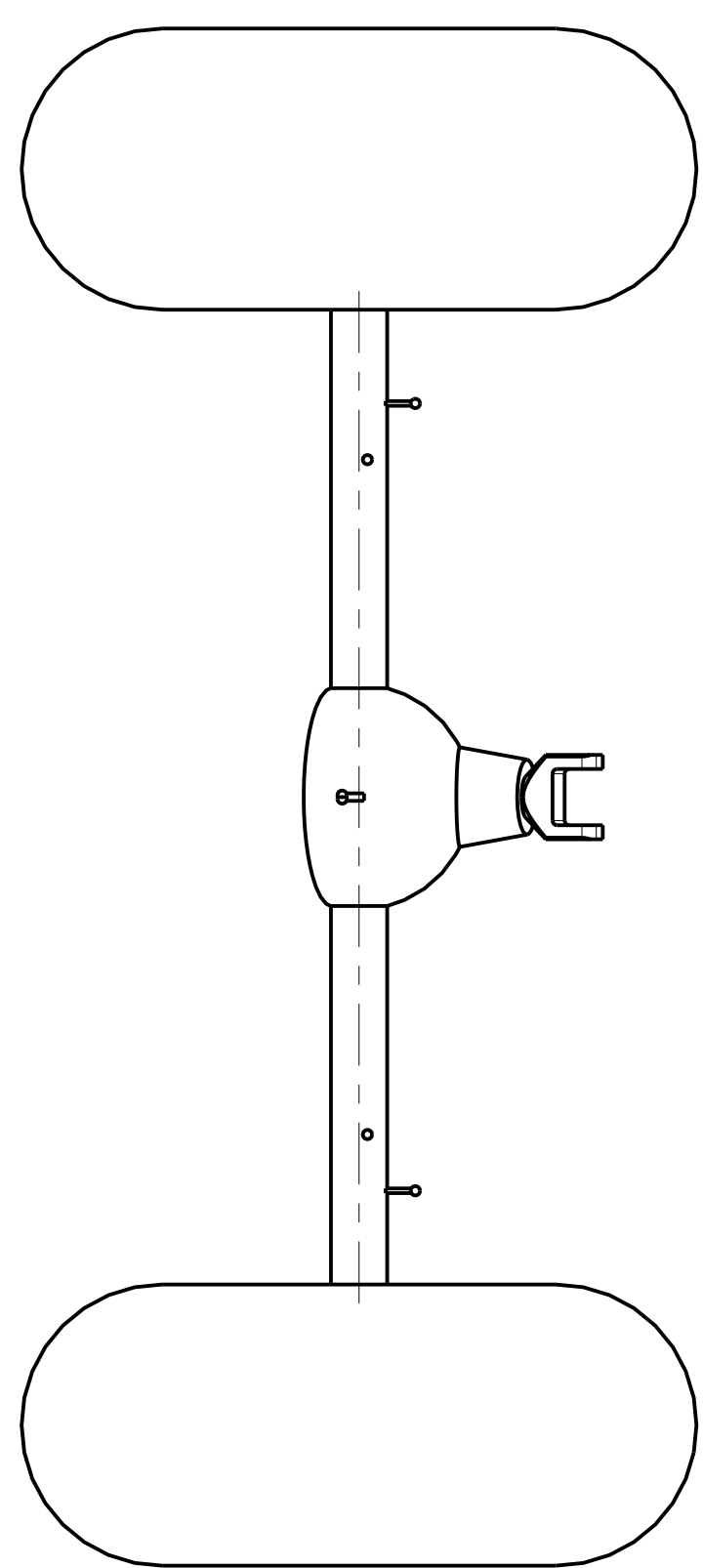


VEHICLE / LINK DIMENSIONS (FLAT / LEVEL GROUND, AT REST)	
VARIABLE	DIM
TRANSFER CASE YOKE FROM FRONT AXLE CENTERLINE	60.00
TRANSFER CASE YOKE GROUND HEIGHT	30.00
TRANSFER CASE YOKE OFF VEHICLE CENTERLINE	1.50
LOWER LINK DISTANCE ABOVE TC YOKE	3.00
UPPER LINK DISTANCE ABOVE TC YOKE	4.00
LOWER LINK DISTANCE BEHIND TC YOKE	1.000
UPPER LINK DISTANCE BEHIND TC YOKE	1.000
LOWER LINK DISTANCE OFF VEHICLE CENTERLINE	8.00
UPPER LINK DISTANCE OFF VEHICLE CENTERLINE	15.00
LOWER LINK LENGTH	41.00
UPPER LINK LENGTH	43.50
UPPER SHOCK MOUNT DISTANCE ABOVE TC YOKE	18.00
UPPER SHOCK MOUNT DISTANCE BEHIND TC YOKE	40.00
UPPER SHOCK MOUNT DISTANCE OFF VEHICLE CENTERLINE	10.00
SHOCK LENGTH AT REST (CALCULATED)	28.9
DRIVE SHAFT LENGTH AT REST (CALCULATED)	29.82

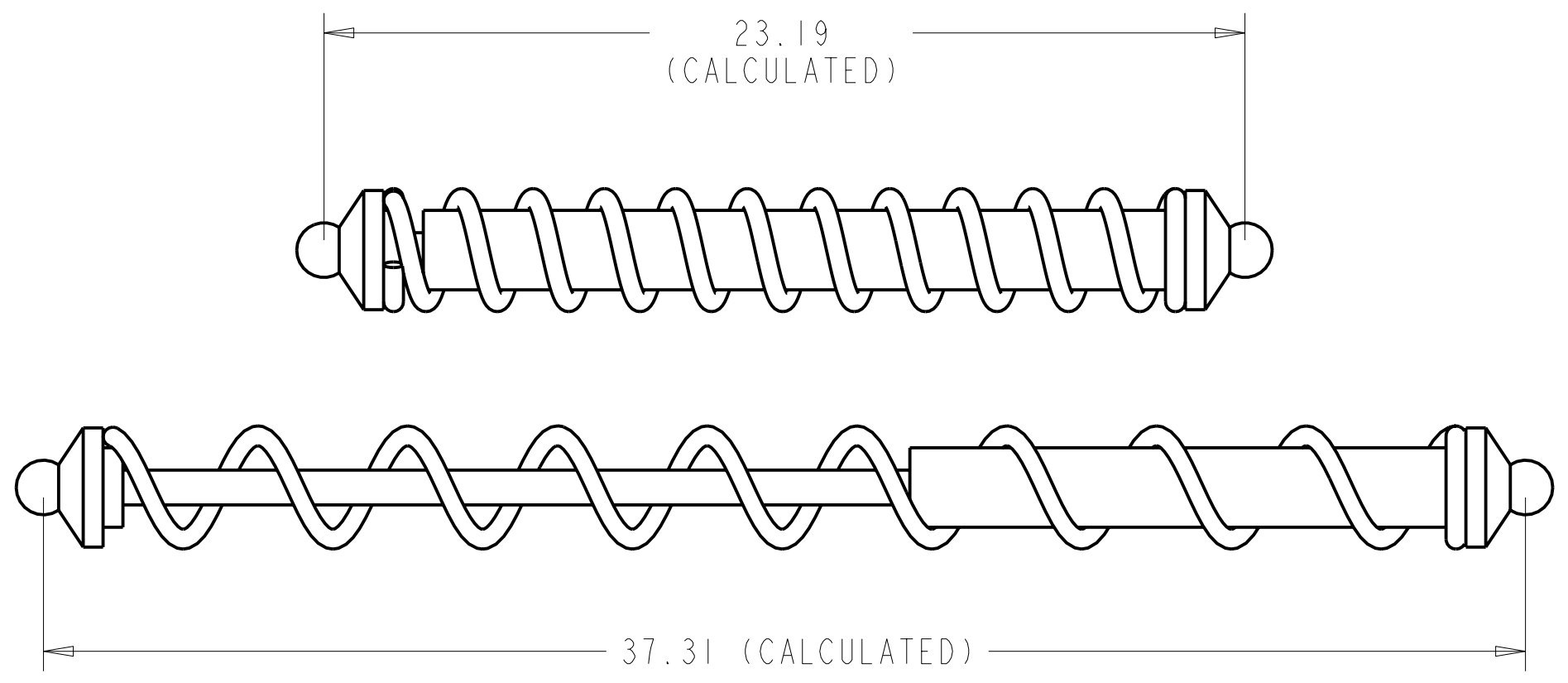


CENTER OF GRAVITY DIMENSIONS (FLAT / LEVEL GROUND, AT REST)	
VARIABLE	DIM
VERTICAL HEIGHT OF CG FROM GROUND	36.00
HORIZONTAL DISTANCE OF CG FROM FRONT AXLE	38.00
ANTI-SQUAT (CALCULATED)	91.2 %



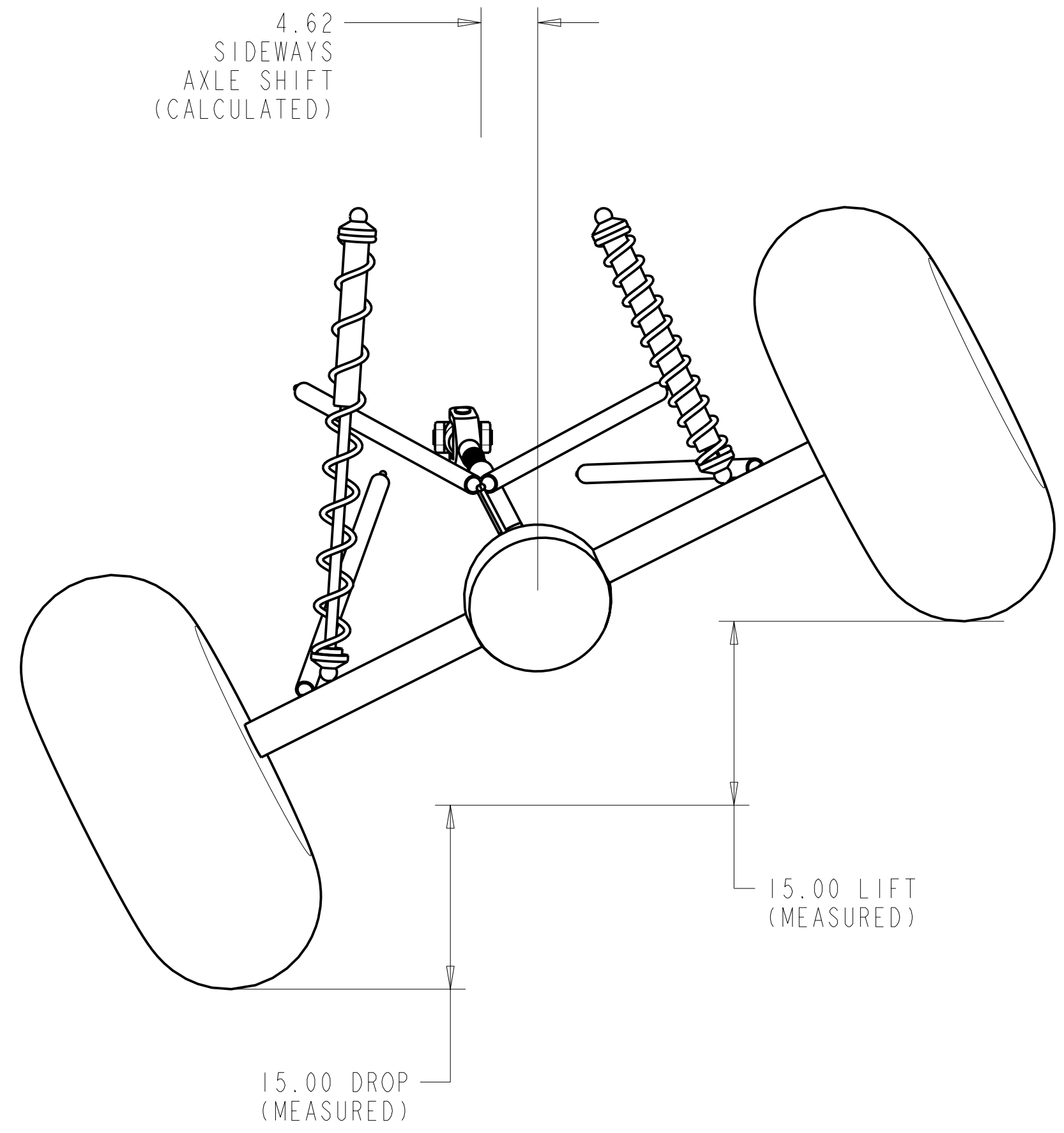


DRIVE SHAFT LENGTH AT GIVEN FLEX (CALCULATED) = 29.62



SHOCK LENGTHS AT GIVEN FLEX

SHOCK LENGTH AT REST (CALCULATED) = 28.9



RSE, LLC

SEE FIRST SHEET FOR CONTRACT NUMBER. USE OR DISCLOSURE OF INFORMATION ON THIS SHEET IS SUBJECT TO THE RESTRICTIONS ON THE FIRST SHEET OF THIS DOCUMENT.